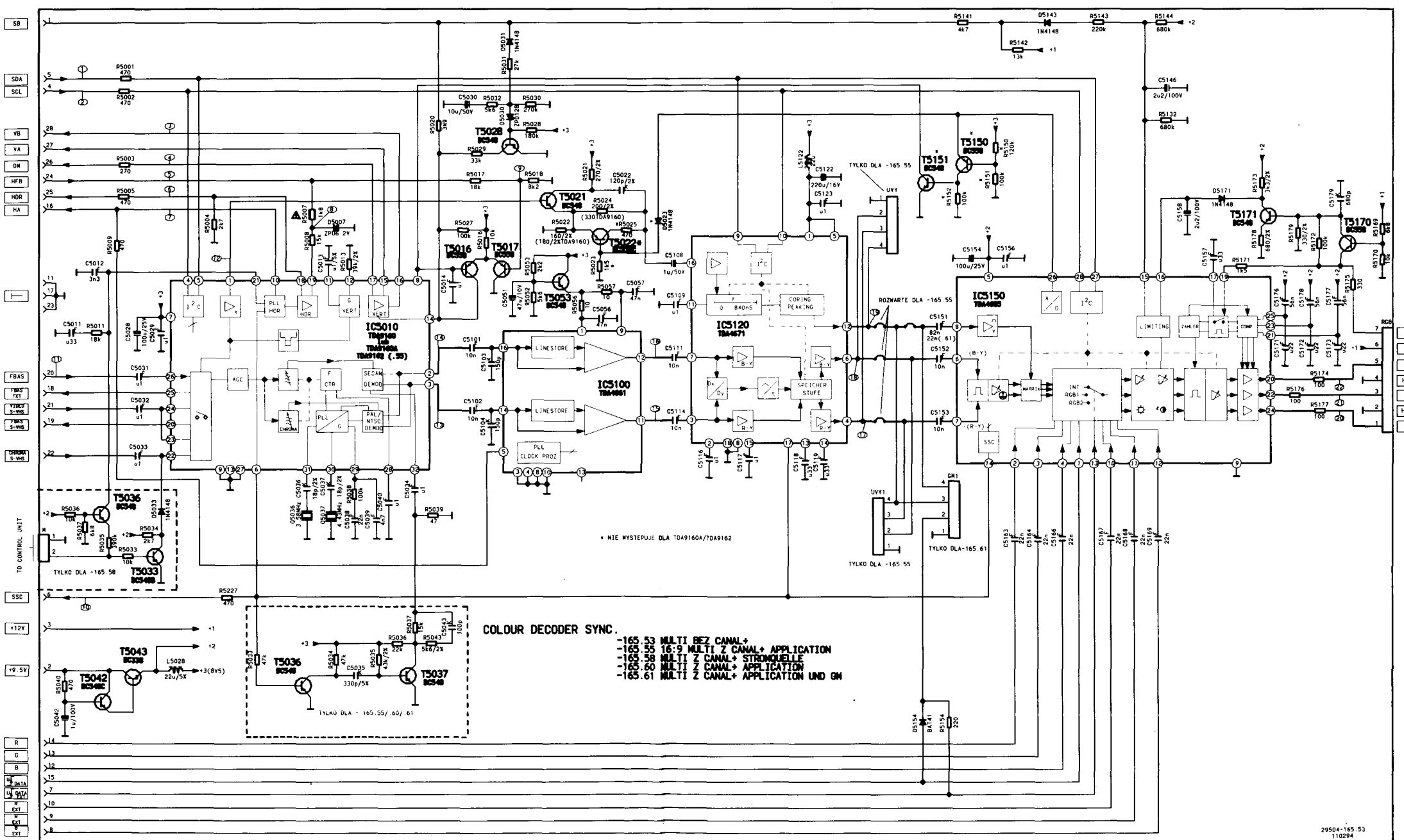
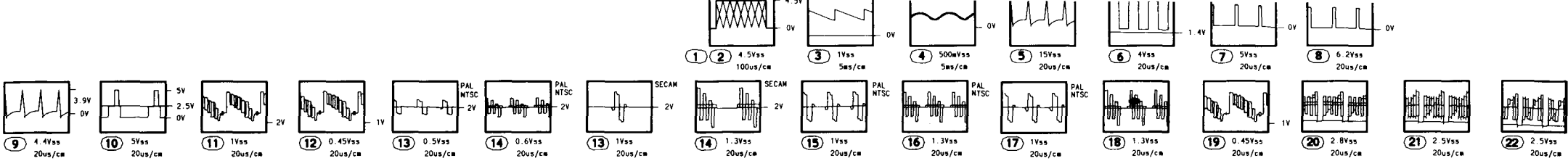


AF-OUTPUT STAGE 50W aktiv 29504-104.56



**COLOUR DECODER SYNC.**

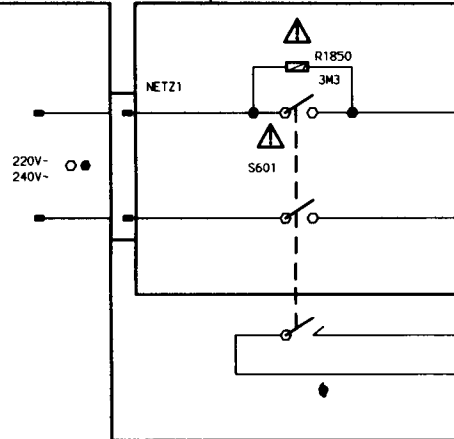
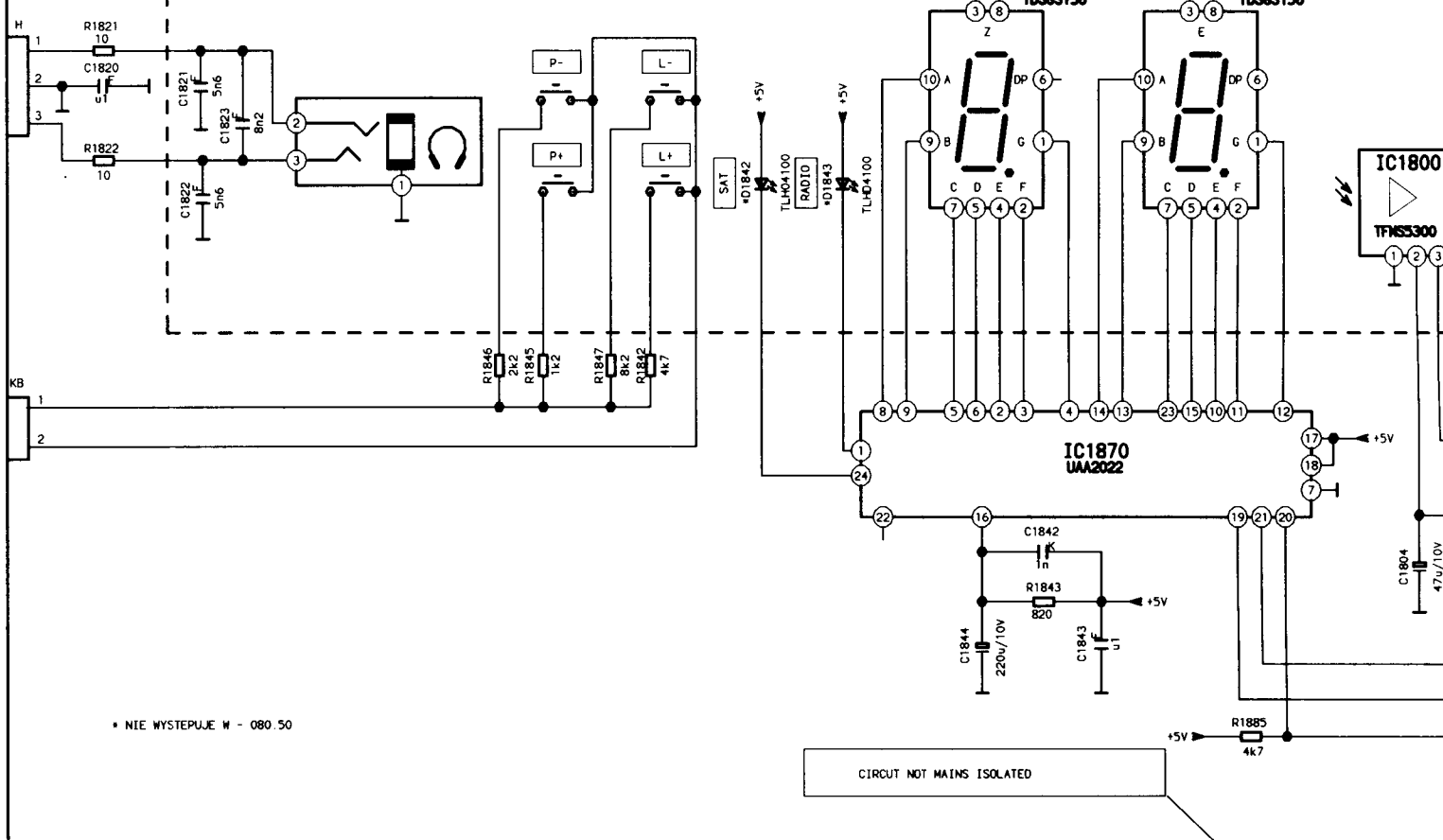
- 165 53 MULTI BEZ CANAL+
- 165 55 16:9 MULTI Z CANAL+ APPLICATION
- 165 58 MULTI Z CANAL+ STROMQUELLE
- 165 60 MULTI Z CANAL+ APPLICATION
- 165 61 MULTI Z CANAL+ APPLICATION UND GM

CONTROL UNIT 29501-080.45  
-080.50

KEYBOARD WITH BUTONS 29501-081.45  
-081.50

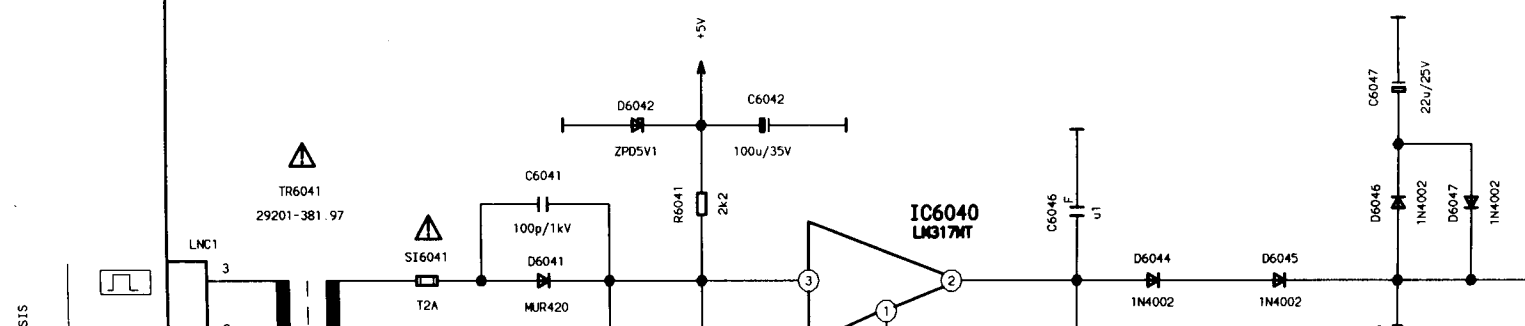
TO AF AMPLIFIER

TO TUNING MODULE

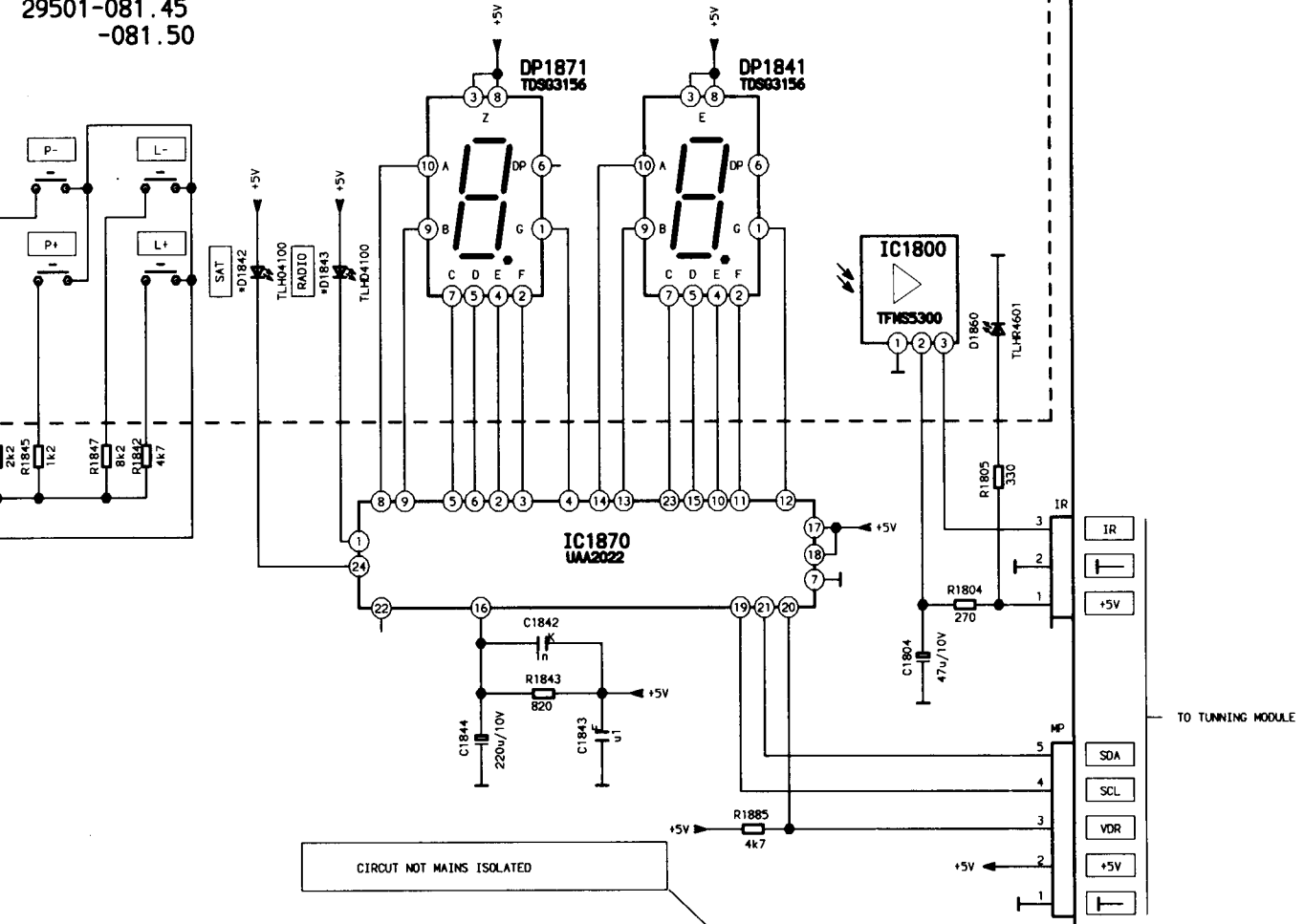


DRUCK 29304-702 68(-080 XX)  
DRUCK 29304-706 68(-081 XX)

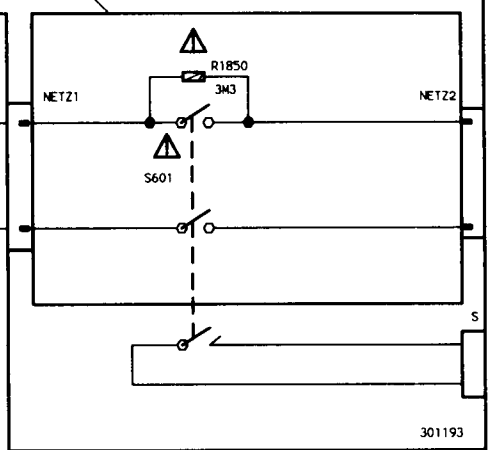
LNC POWER SUPPLY 29305-106.11



29501-081.45  
-081.50

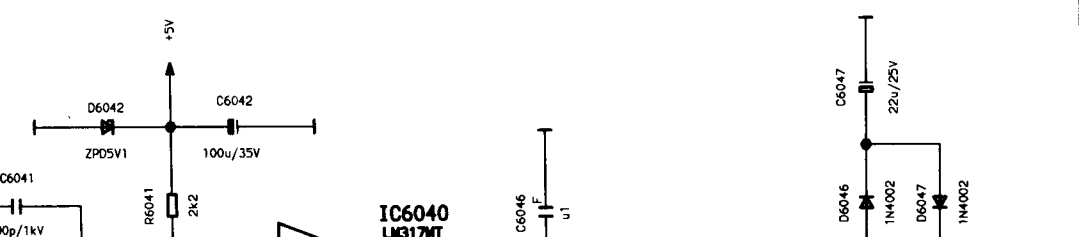


CIRCUIT NOT MAINS ISOLATED



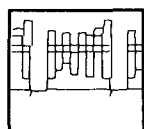
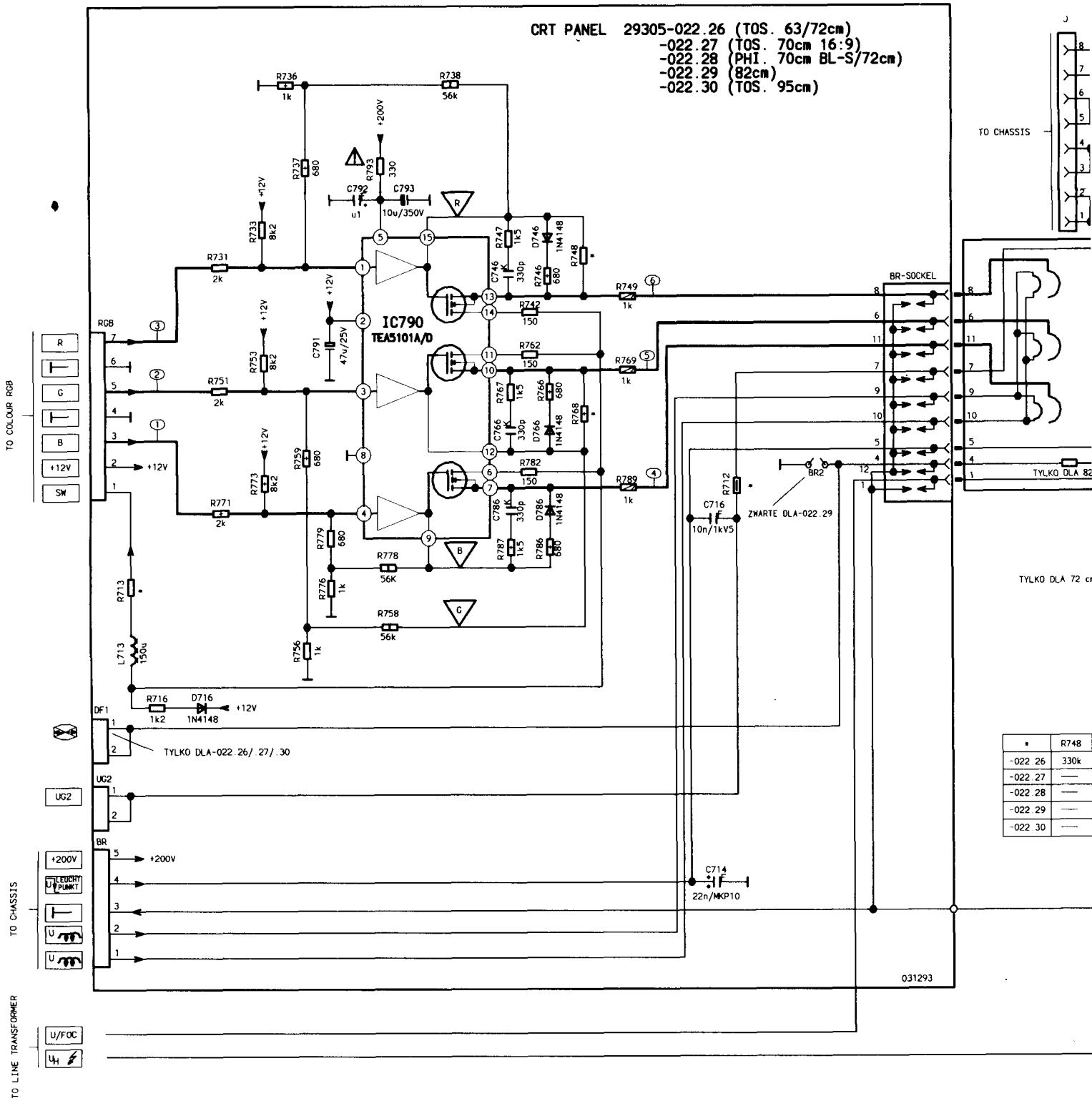
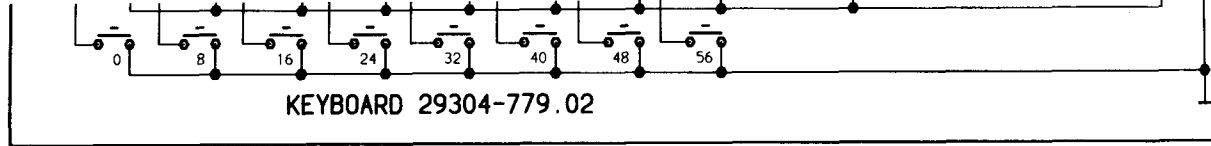
DRUCK 29304-702 68(-080 XX)  
DRUCK 29304-706 68(-081 XX)

29305-106.11

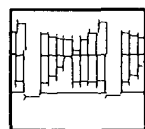


- R
- G
- B
- +12V
- SW

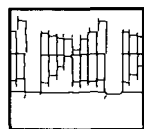
TO COLOUR PCB



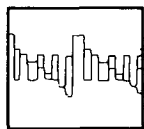
1 2.5Vss  
20us/cm



2 2.5Vss  
20us/cm



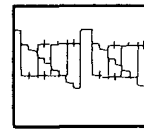
3 2.8Vss  
20us/cm



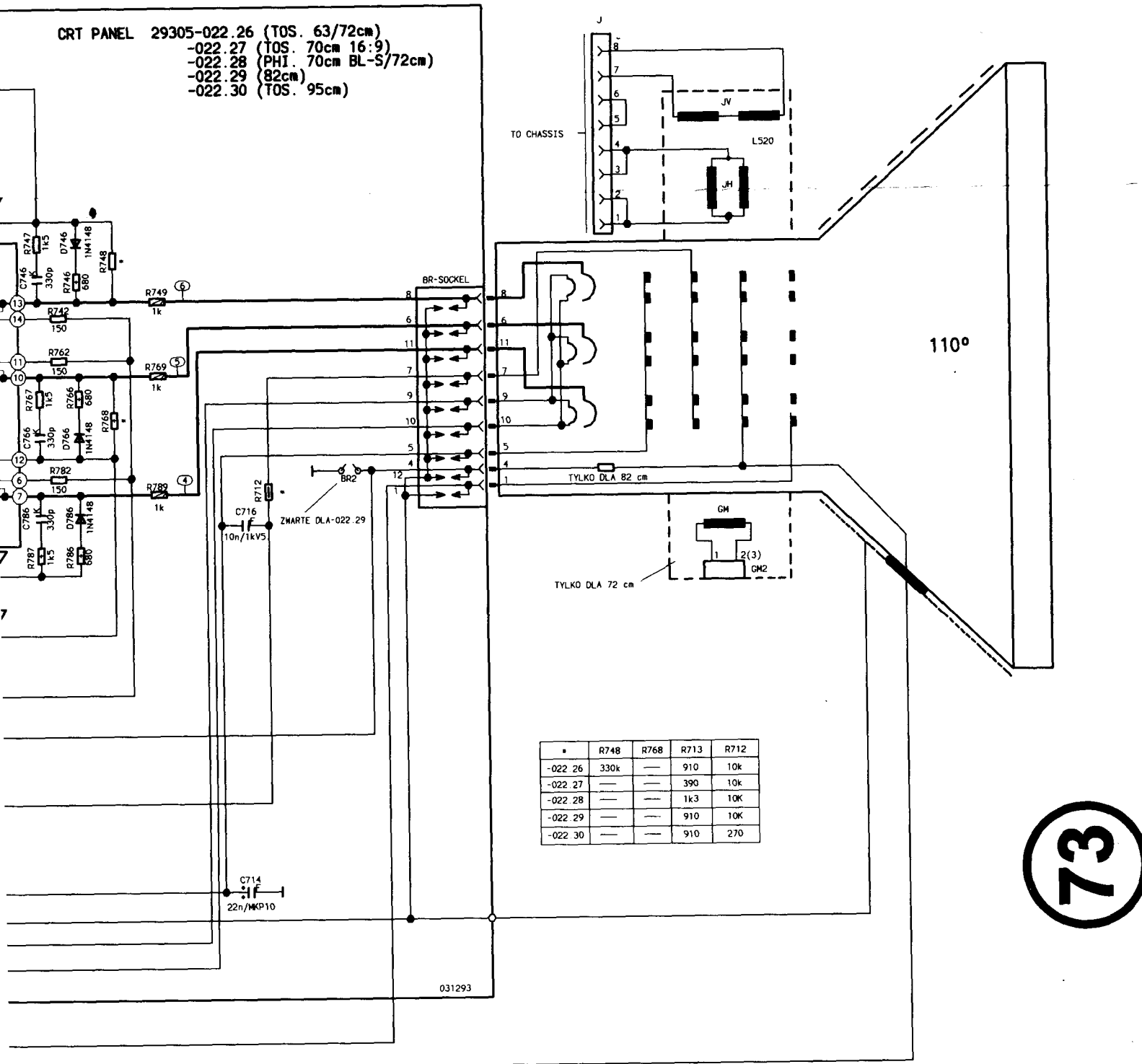
4 85Vss  
20us/cm



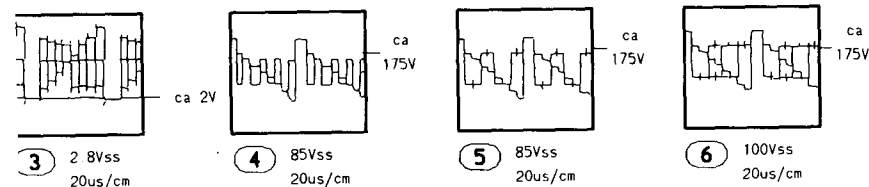
5 85Vss  
20us/cm



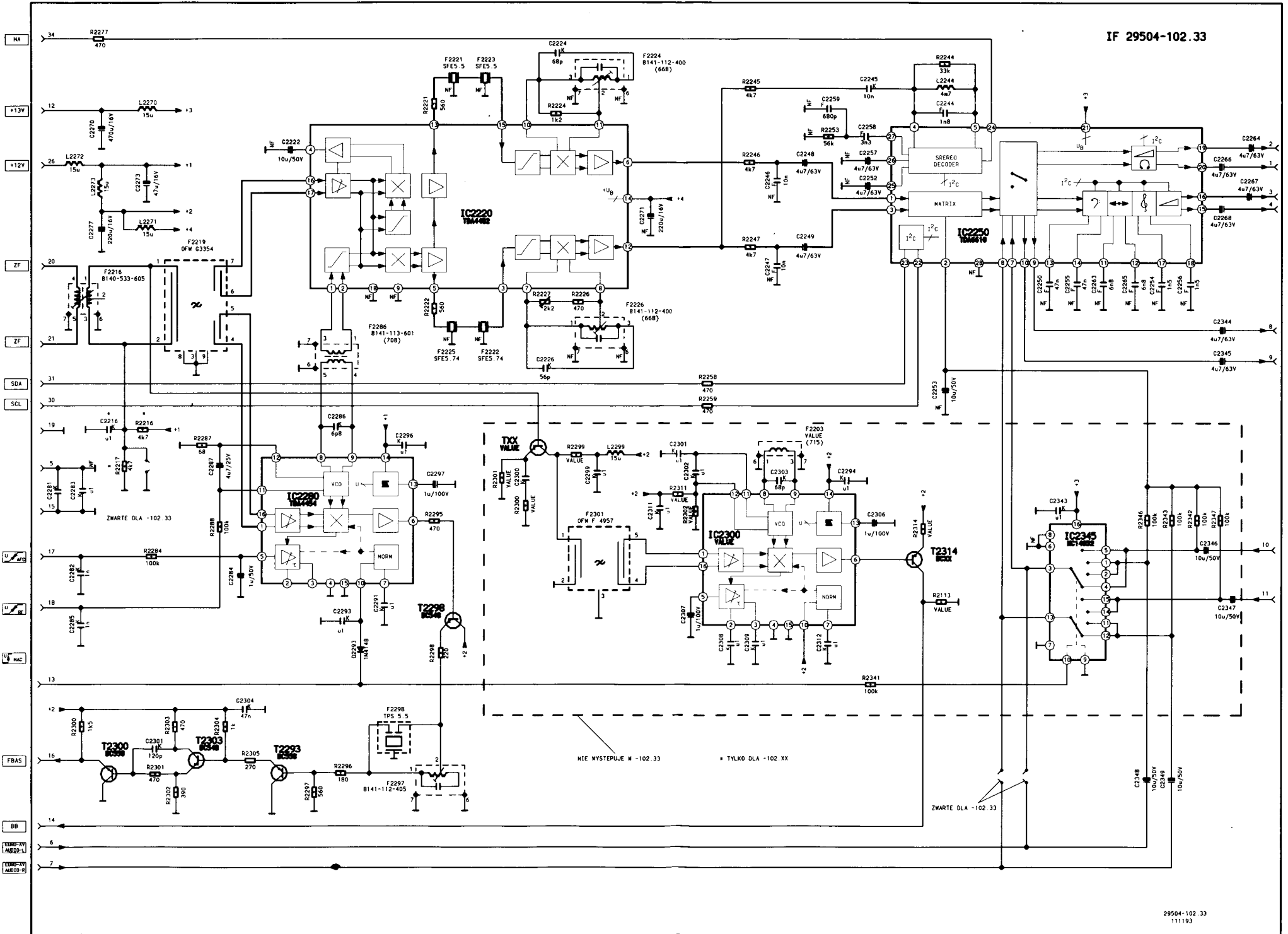
6 100Vss  
20us/cm



73



**OTVC Grundig**  
**chassis CUC7820**  
**Model: ST72-764 SA**  
 (strona 4/4)



- TO AUDIO-R
- TO AUDIO-L
- AUDIO-L
- AUDIO-R

- TO RFY
- AUDIO-L
- TO RFY
- AUDIO-R

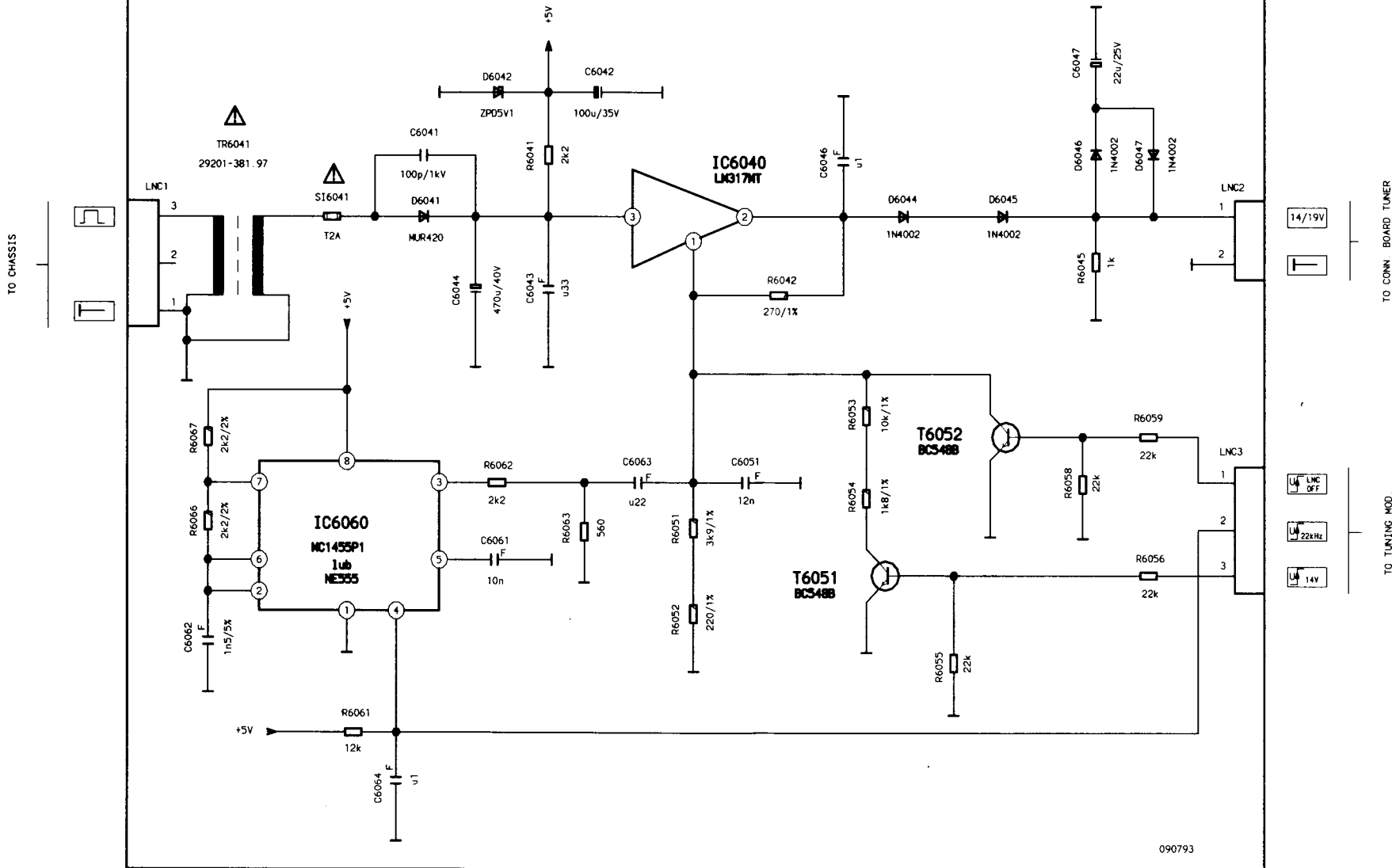
- AUDIO-L
- MAC

- AUDIO-R
- MAC

NIE WYSTĘPUJE W -102.33      • TYLKÓ DLA -102.XX

ZWARTE DLA -102.33

# LNC POWER SUPPLY 29305-106.11



TO CHASSIS

TO CONN. BOARD TUNER

TO TUNING MOD.

TO COLOUR RGB

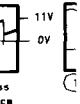
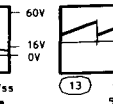
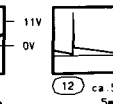
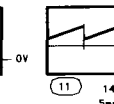
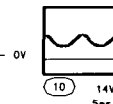
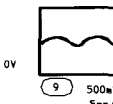
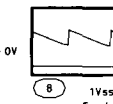
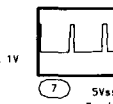
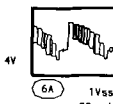
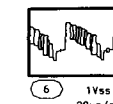
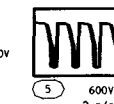
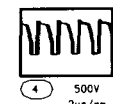
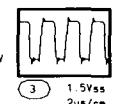
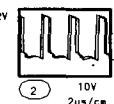
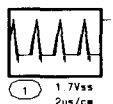
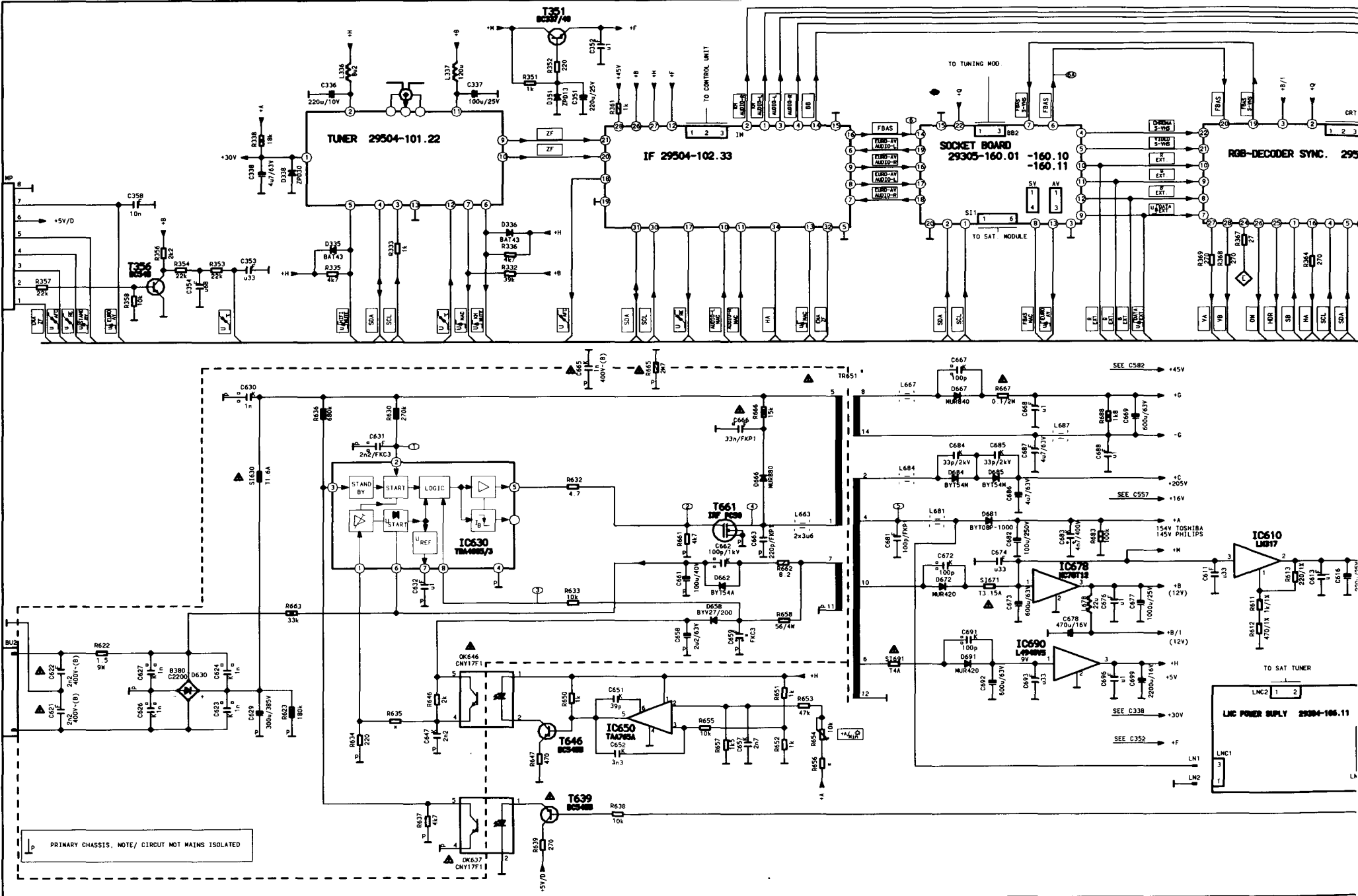
TO CHASSIS

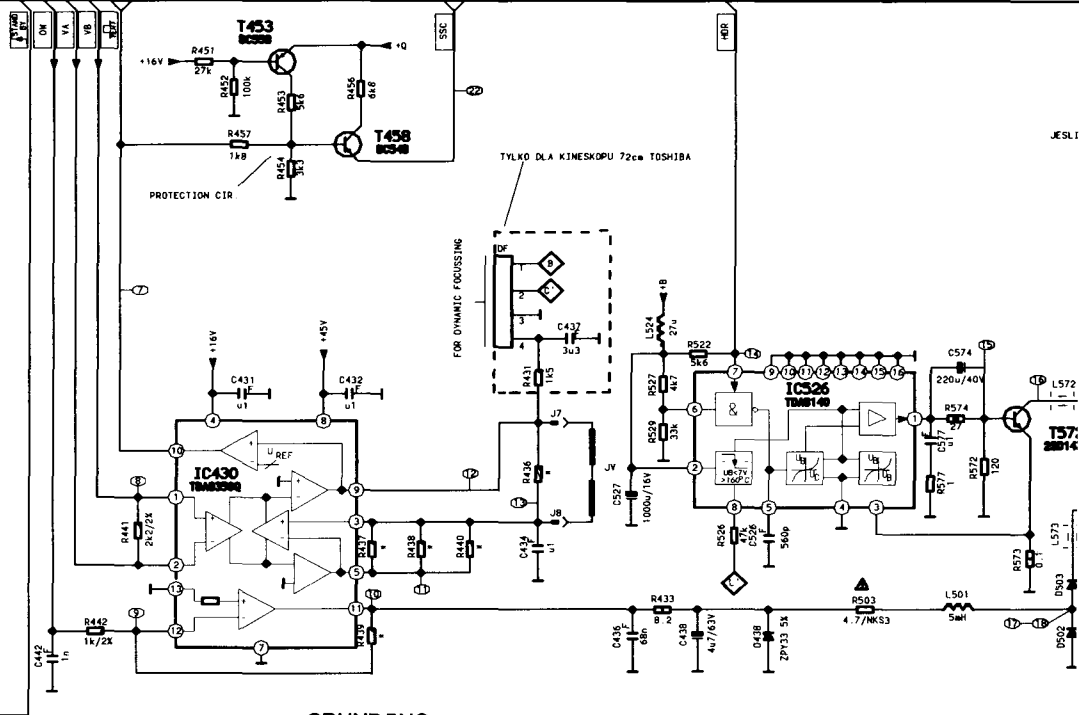
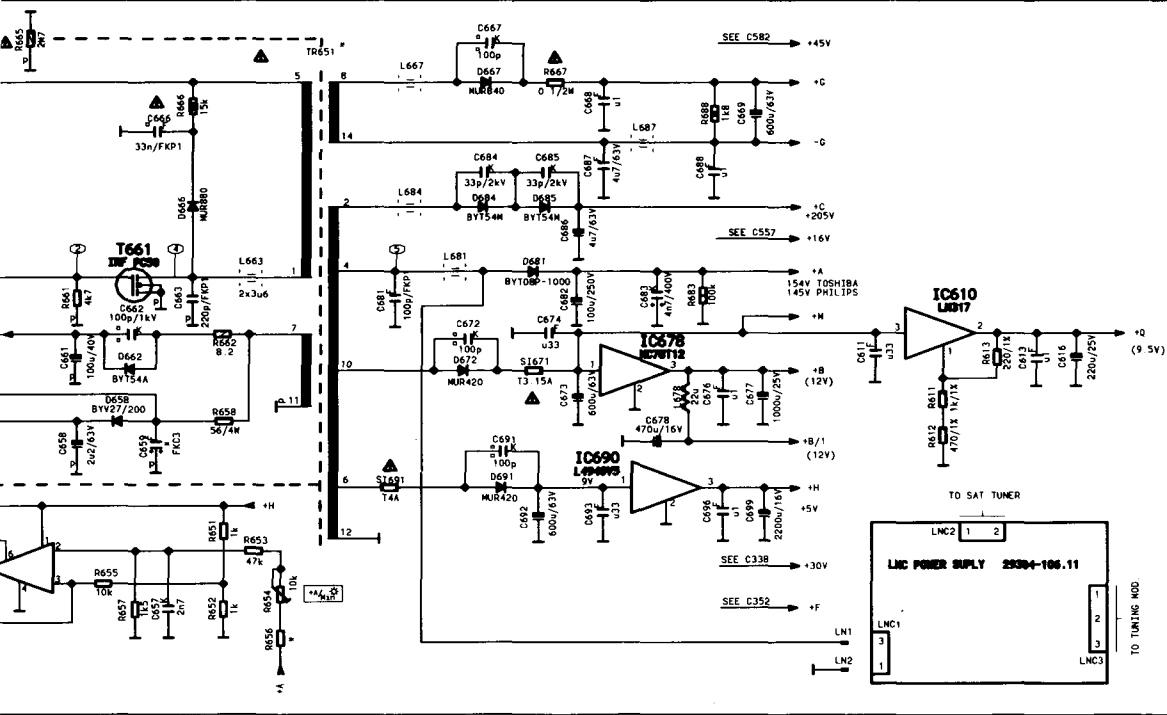
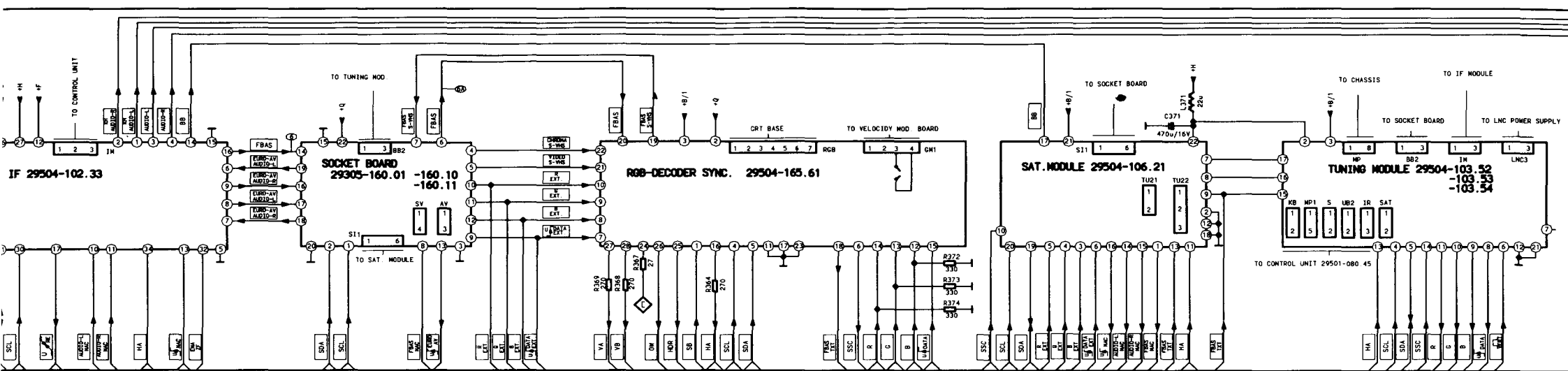
TO LINE TRANSFORMER



TO TUNING MOD.

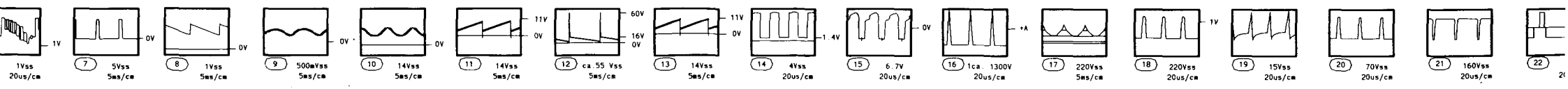
TO MAINS SWITCH PANEL.

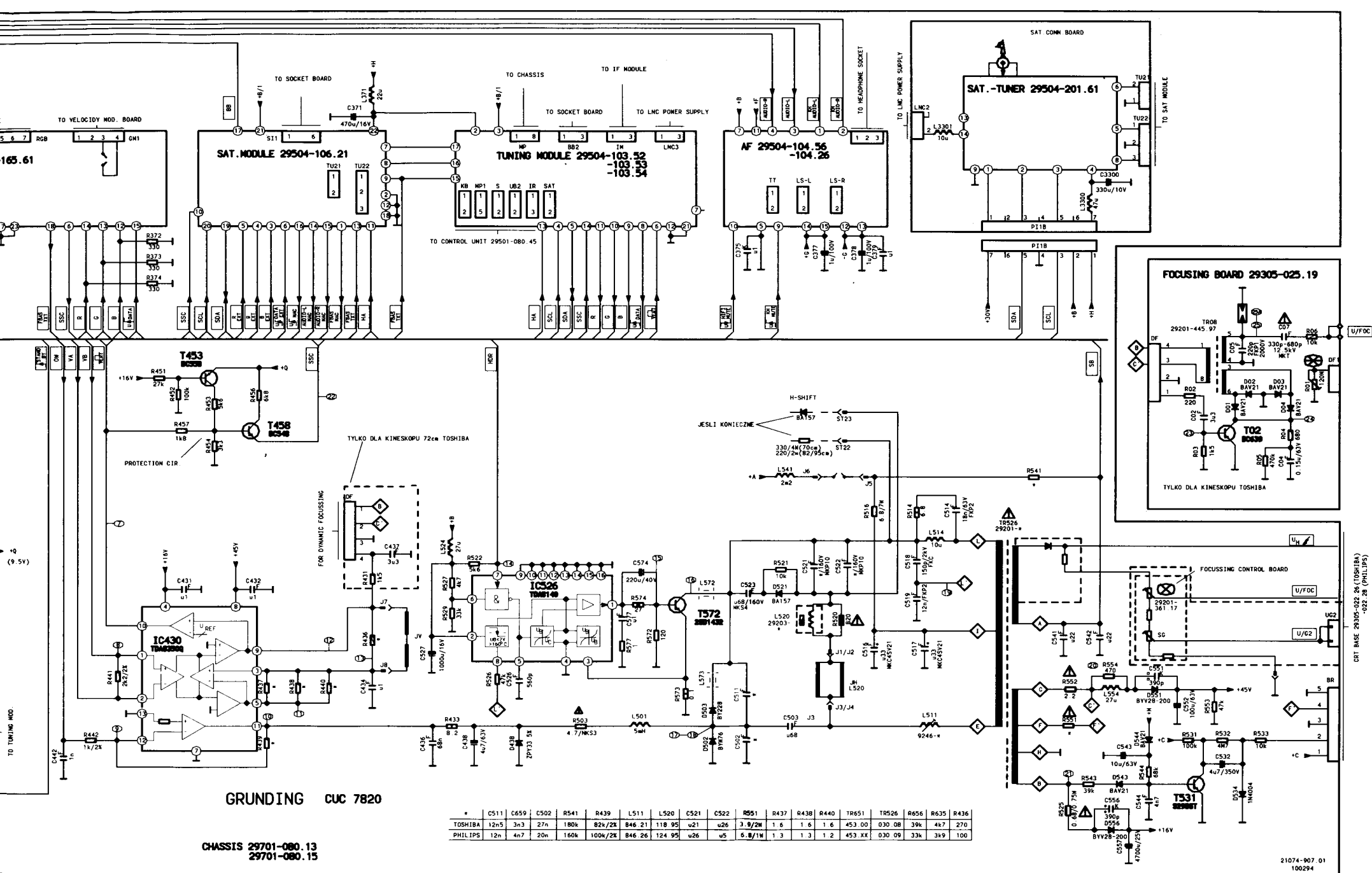




CHASSIS 29701-080.13  
29701-080.15

*	C511	C659	C502	R541	R439	L511	L520	C521	
	TOSHIBA	12n5	3n3	27n	180k	82k/2K	846.21	118.95	u21
	PHILIPS	12n	4n7	20n	160k	100k/2K	846.26	124.95	u26

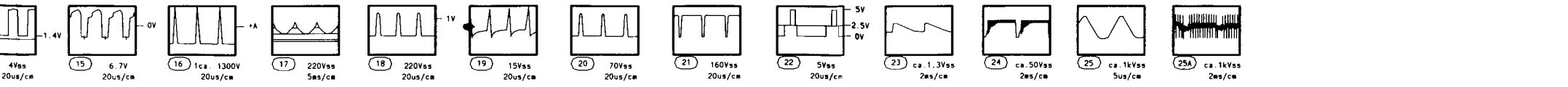




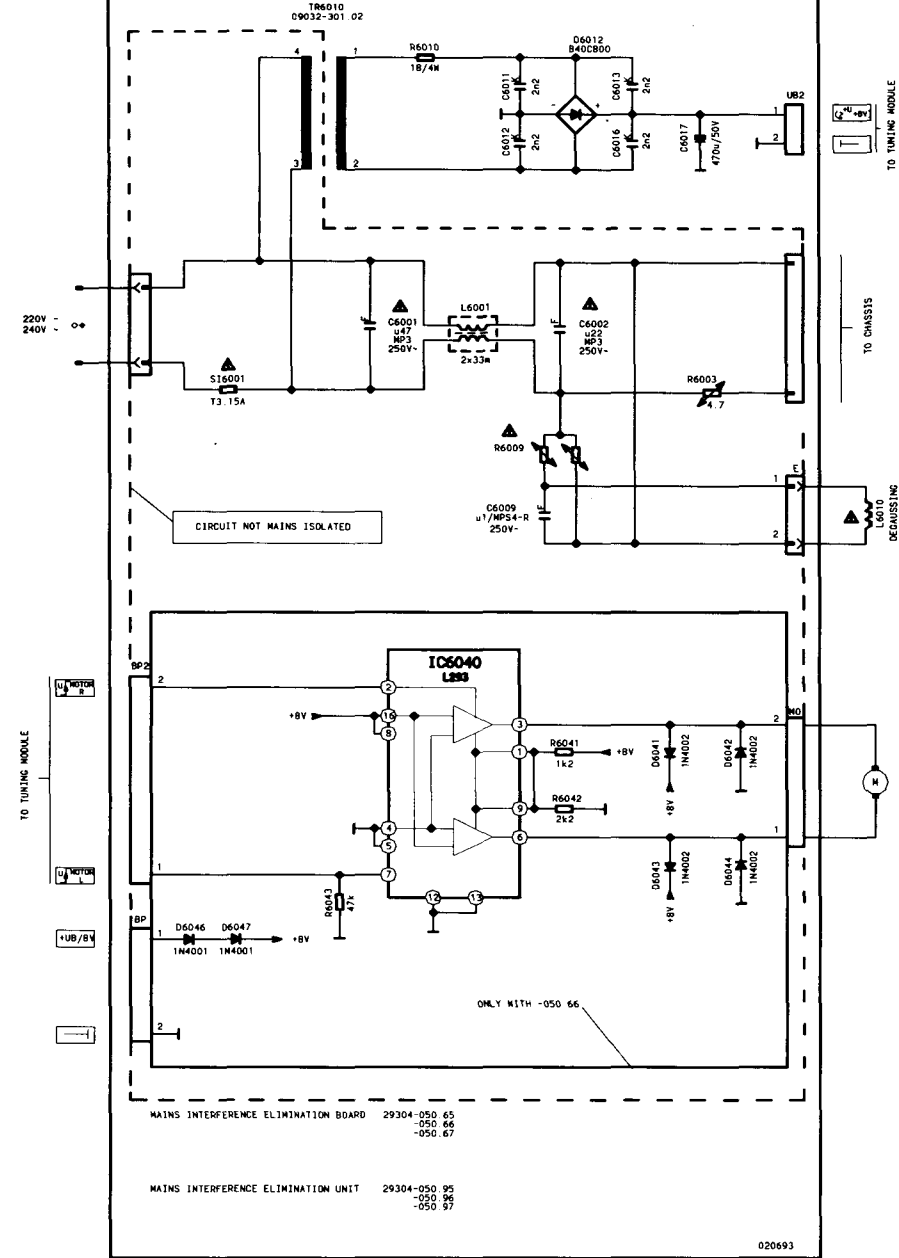
**GRUNDING CUC 7820**

CHASSIS 29701-080.13  
29701-080.15

*	C511	C659	C502	R541	R439	L511	L520	C521	C522	R551	R437	R438	R440	TR651	TR526	R656	R635	R436
TOSHIBA	12n5	3n3	27n	180k	82k/2k	846.21	118.95	u21	u26	3.9/2M	1.6	1.6	1.6	453.00	030.08	39k	4k7	270
PHILIPS	12n	4n7	20n	160k	100k/2k	846.26	124.95	u26	u5	6.8/1M	1.3	1.3	1.2	453.XX	030.09	33k	3k9	100

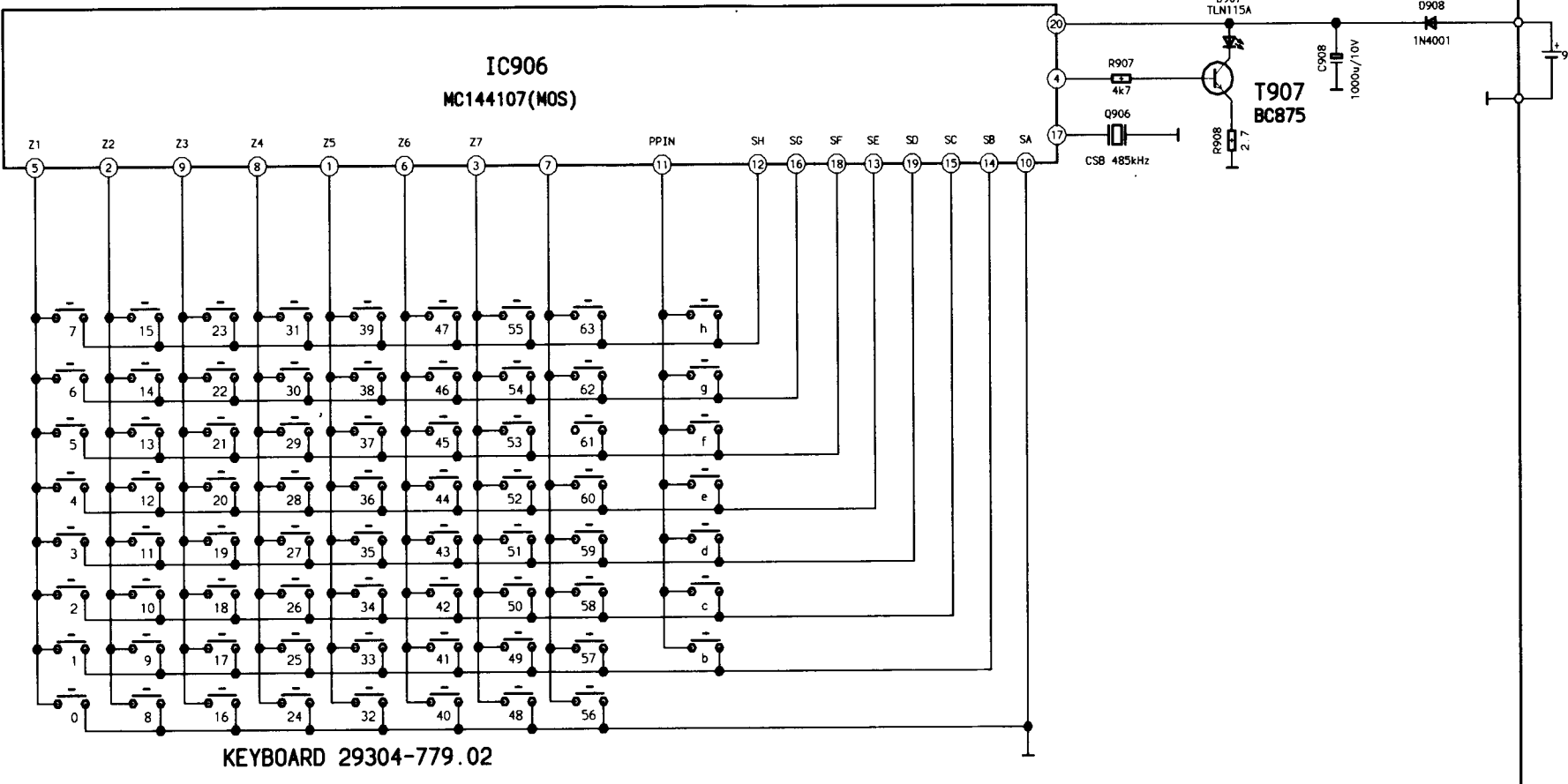


CRT BASE 29305-022.26 (TOSHIBA)  
-022.28 (PHILIPS)

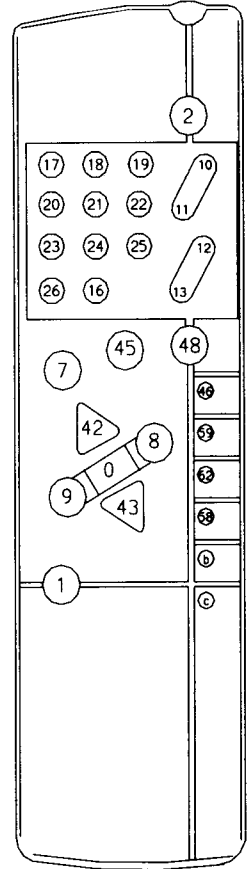


**OTVC Grundig chassis CUC7820**  
**Model: ST72-764 SAT (strona 2/4)**

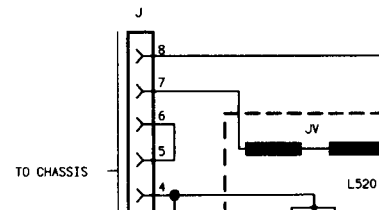
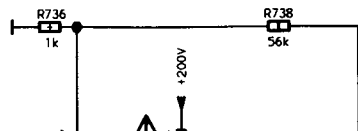
REMOTE CONTROL 29622-059.06



Remote control TP720



CRT PANEL 29305-022.26 (TOS. 63/72cm)  
 -022.27 (TOS. 70cm 16:9)  
 -022.28 (PHI. 70cm BL-S/72cm)  
 -022.29 (82cm)  
 -022.30 (TOS. 95cm)



TO LINC POWER SUPPLY

TO CHASSIS

AFC

AFC

AFC

+12V

+5V

SDA

SCL

FBAS TXT

FBAS TXT

STL1

STL1

STL1

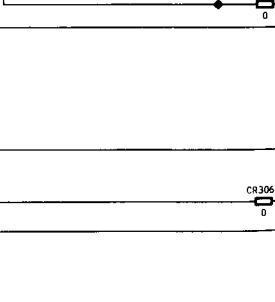
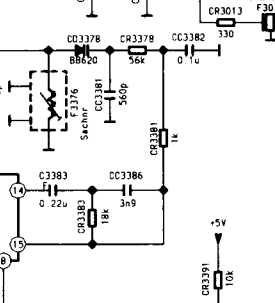
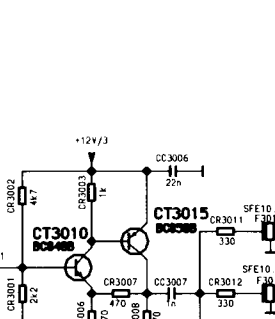
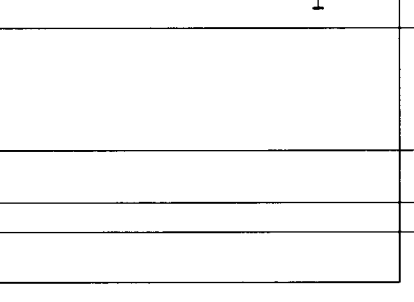
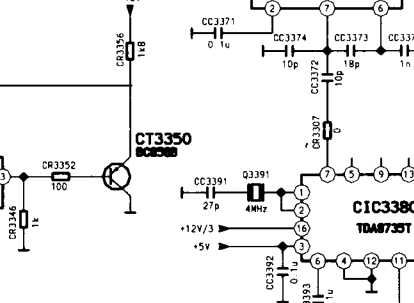
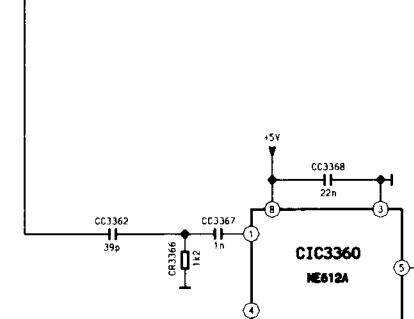
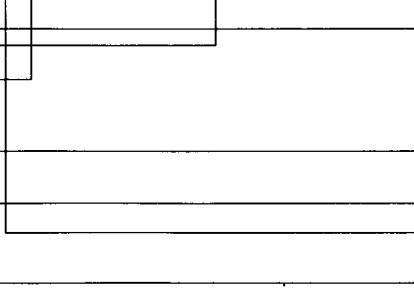
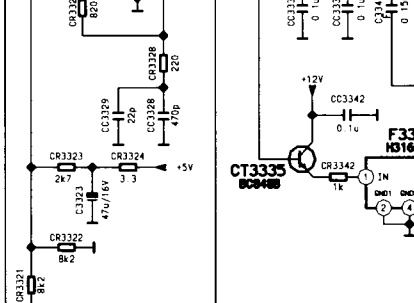
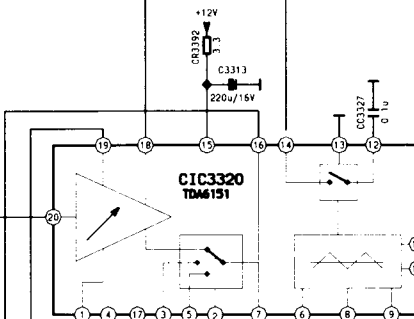
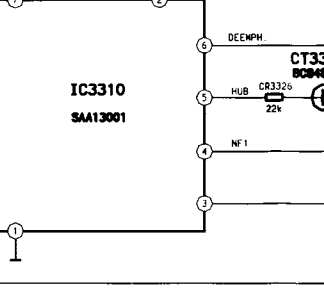
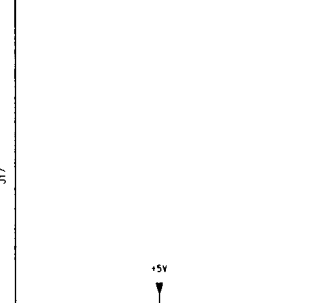
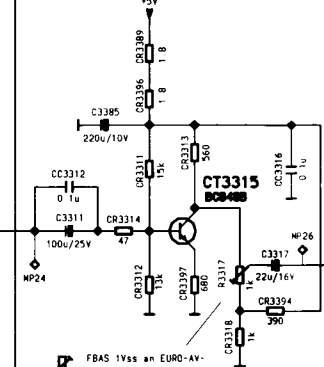
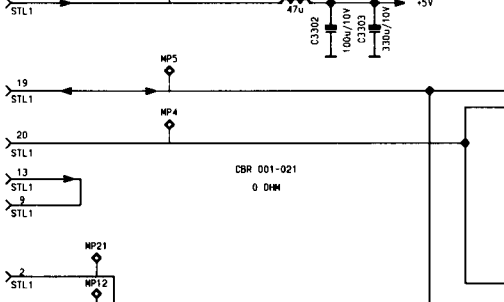
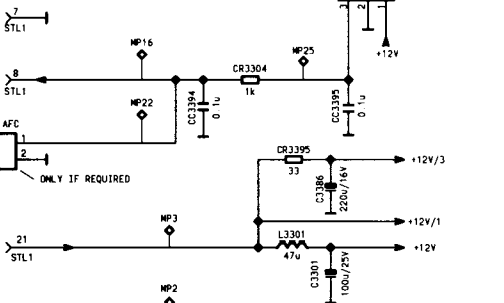
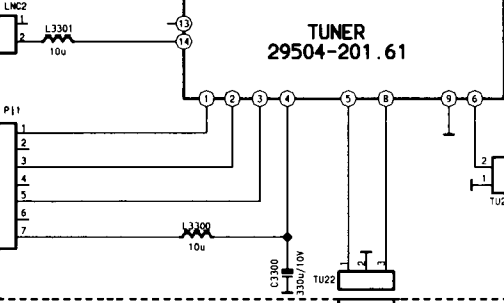
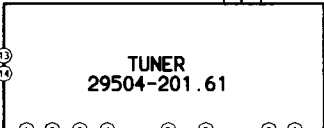
STL1

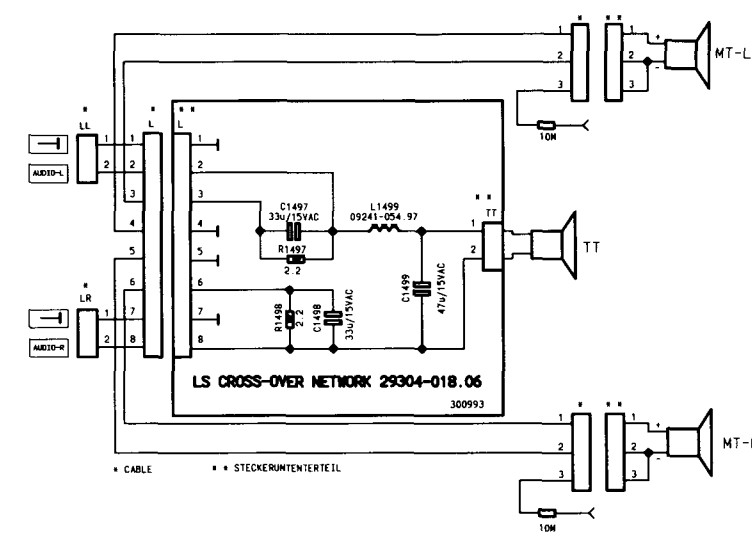
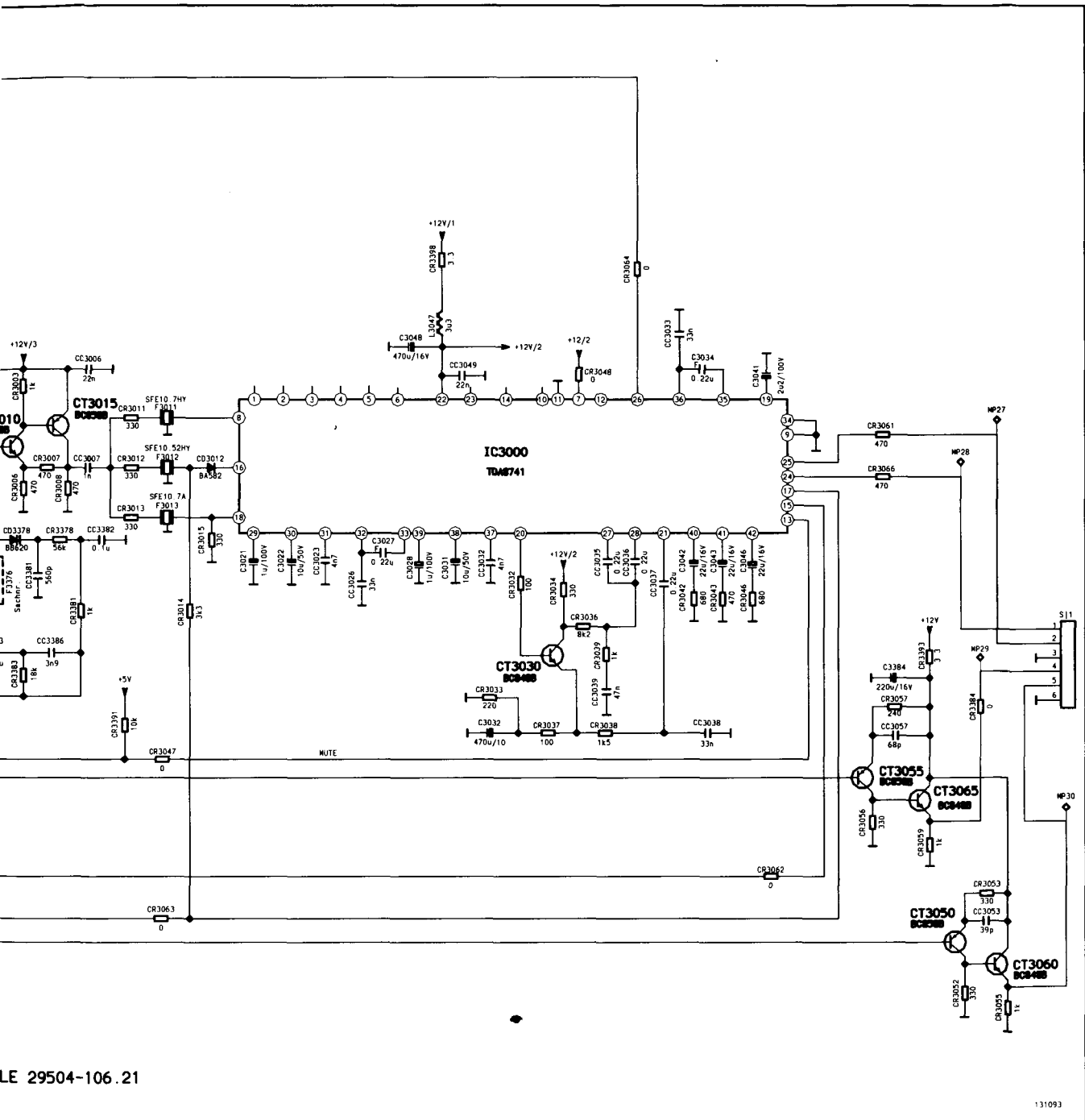
STL1

STL1

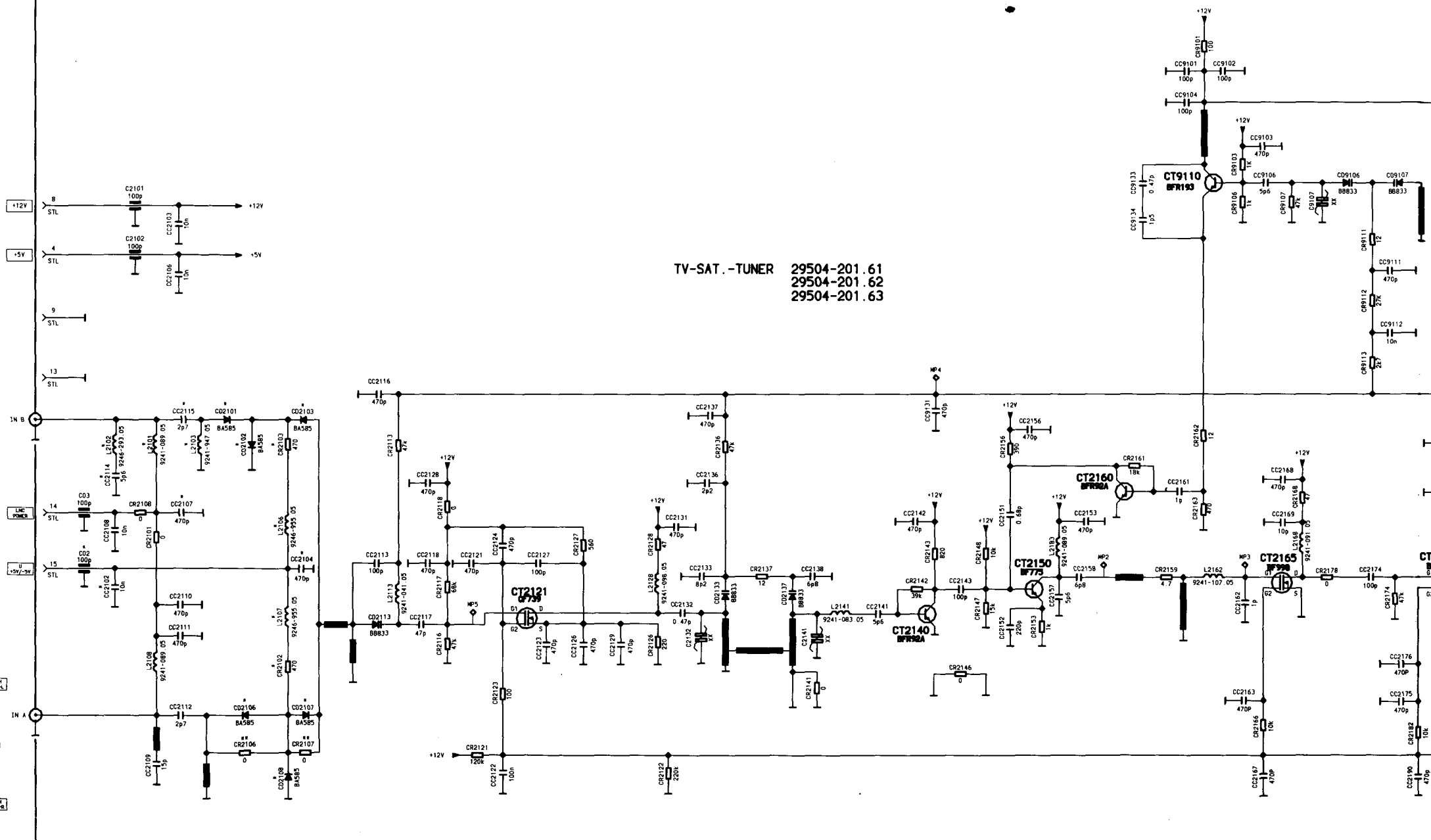
STL1

### SAT. CONN. BOARD





**OTVC Grundig**  
**chassis CUC7820**  
**Model: ST72-764 SAT**  
 (strona 3/4)

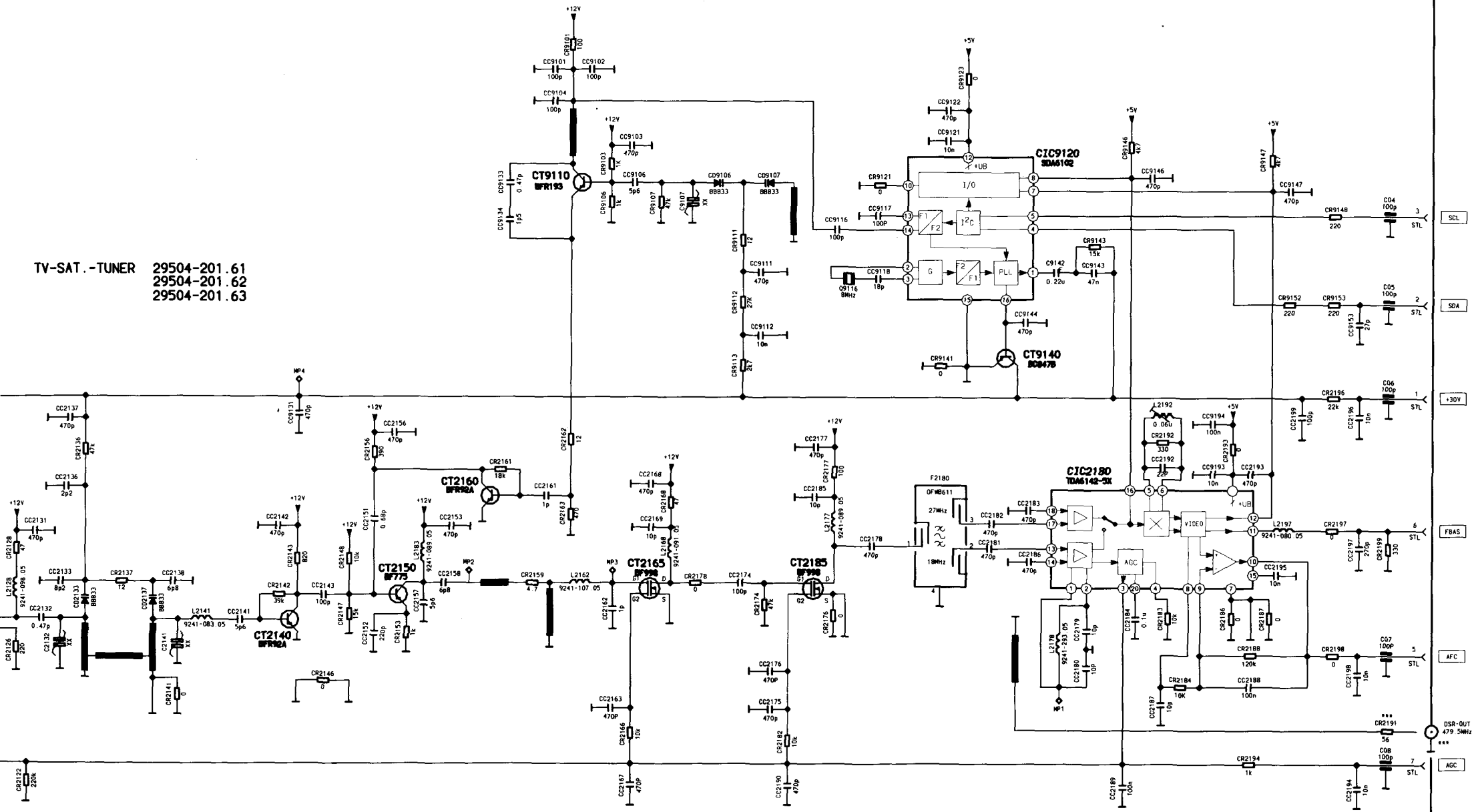


TV-SAT.-TUNER 29504-201.61  
 29504-201.62  
 29504-201.63

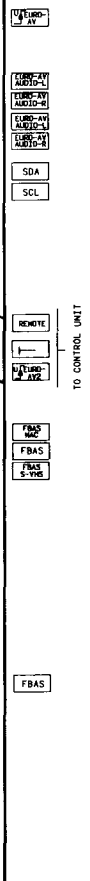
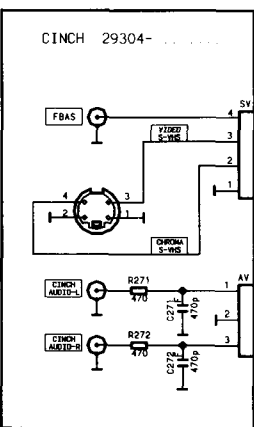
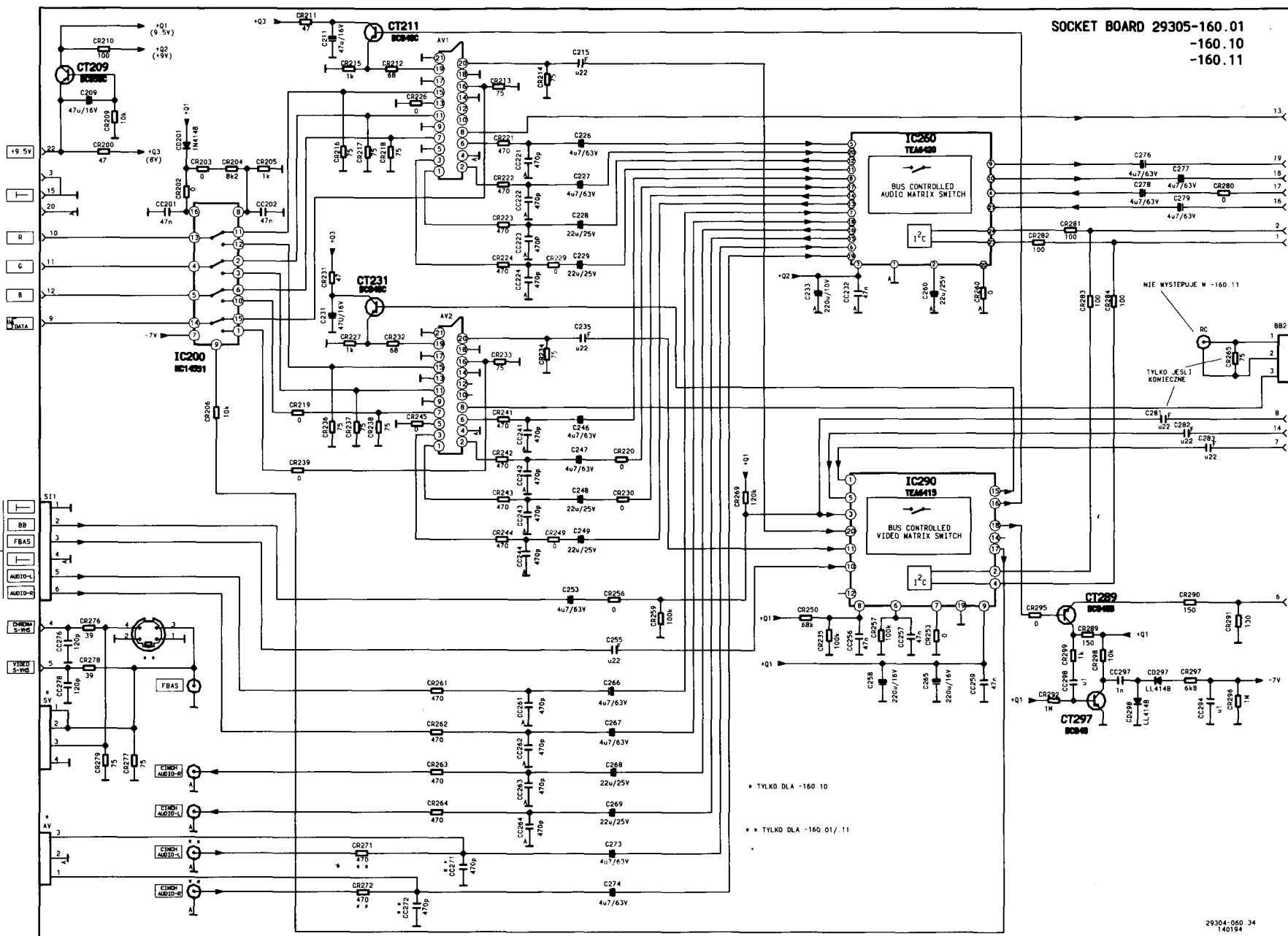
*	TYLKO DLA 201.62
**	TYLKO DLA 201.61
***	TYLKO DLA 201.63



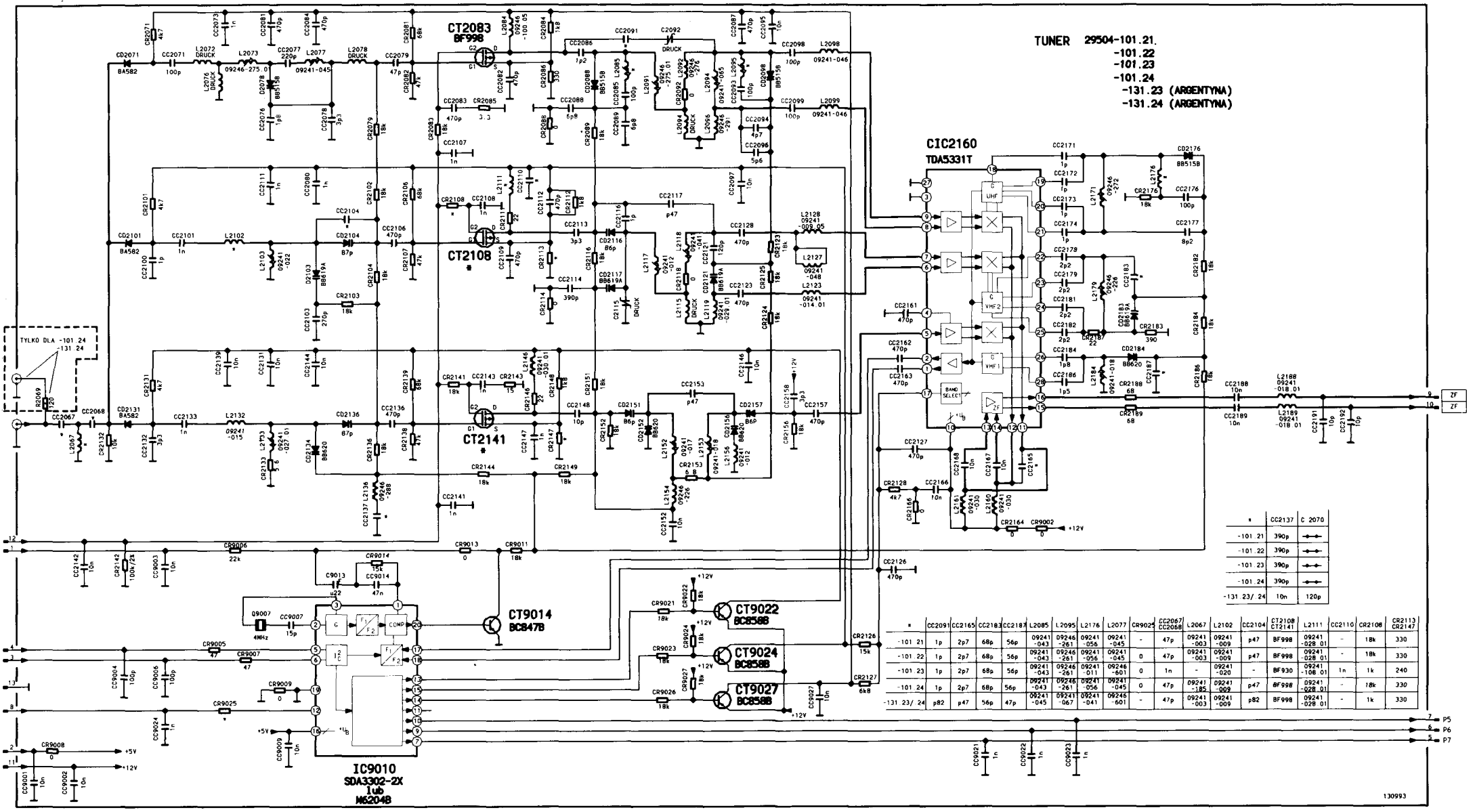
TV-SAT.-TUNER 29504-201.61  
 29504-201.62  
 29504-201.63



SOCKET BOARD 29305-160.01  
-160.10  
-160.11



\* TYLKO DLA -160.10  
 \* \* TYLKO DLA -160.01/11



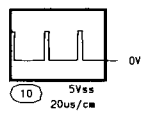
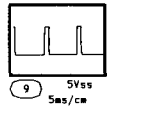
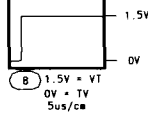
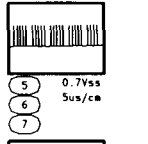
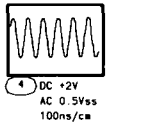
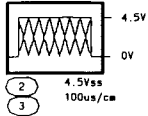
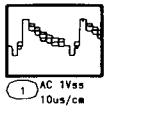
# OTVC Grundig chassis CUC7820

## Model: ST72-764 SAT (strona 1/4)

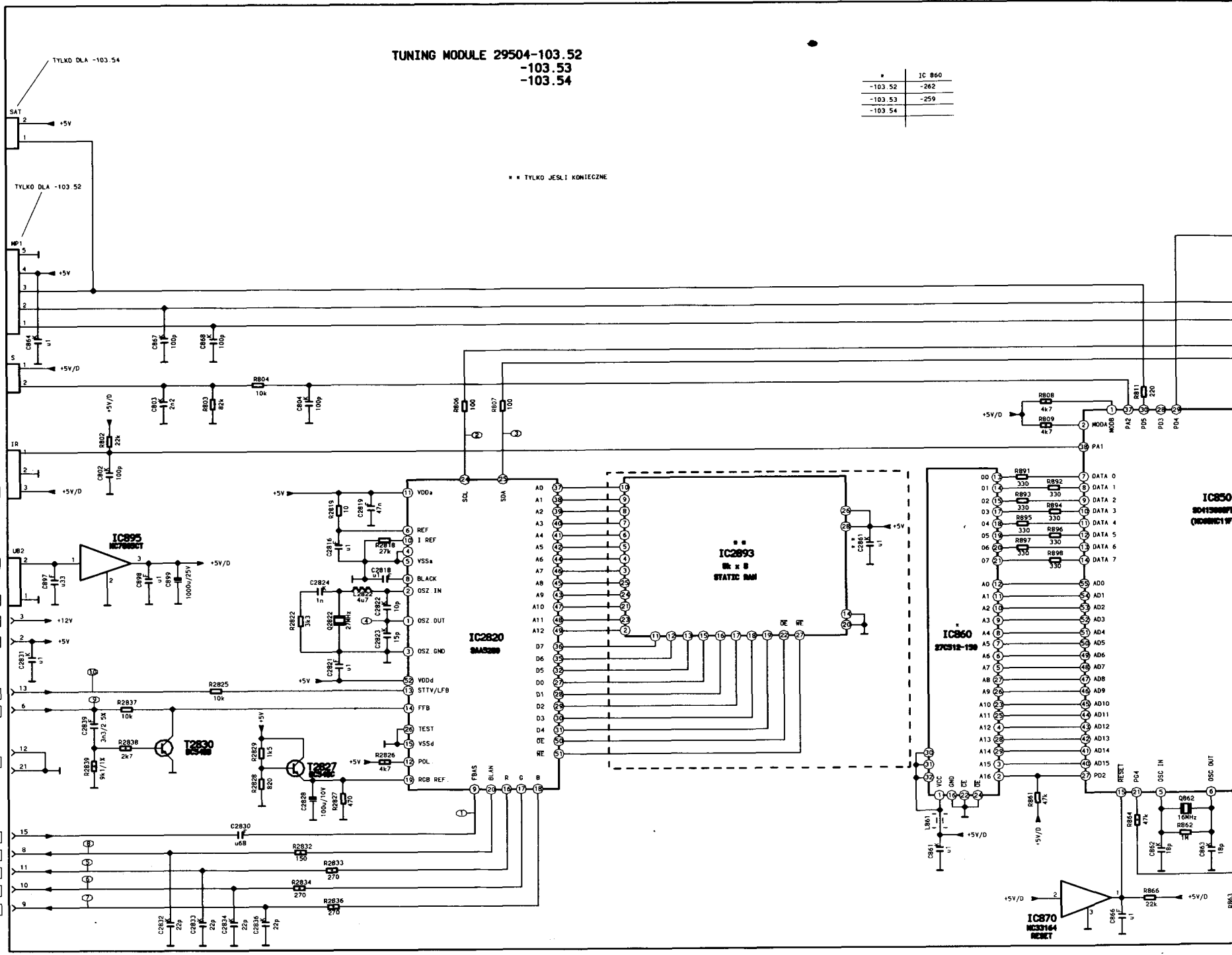
TUNING MODULE 29504-103.52  
-103.53  
-103.54

*	IC 860
-103.52	-262
-103.53	-259
-103.54	

\*\* TYLKO JESLI KONIECZNE



TO MAINS SWITCH BOARD  
TO LED-BOARD  
TO MAINS SWITCH BOARD

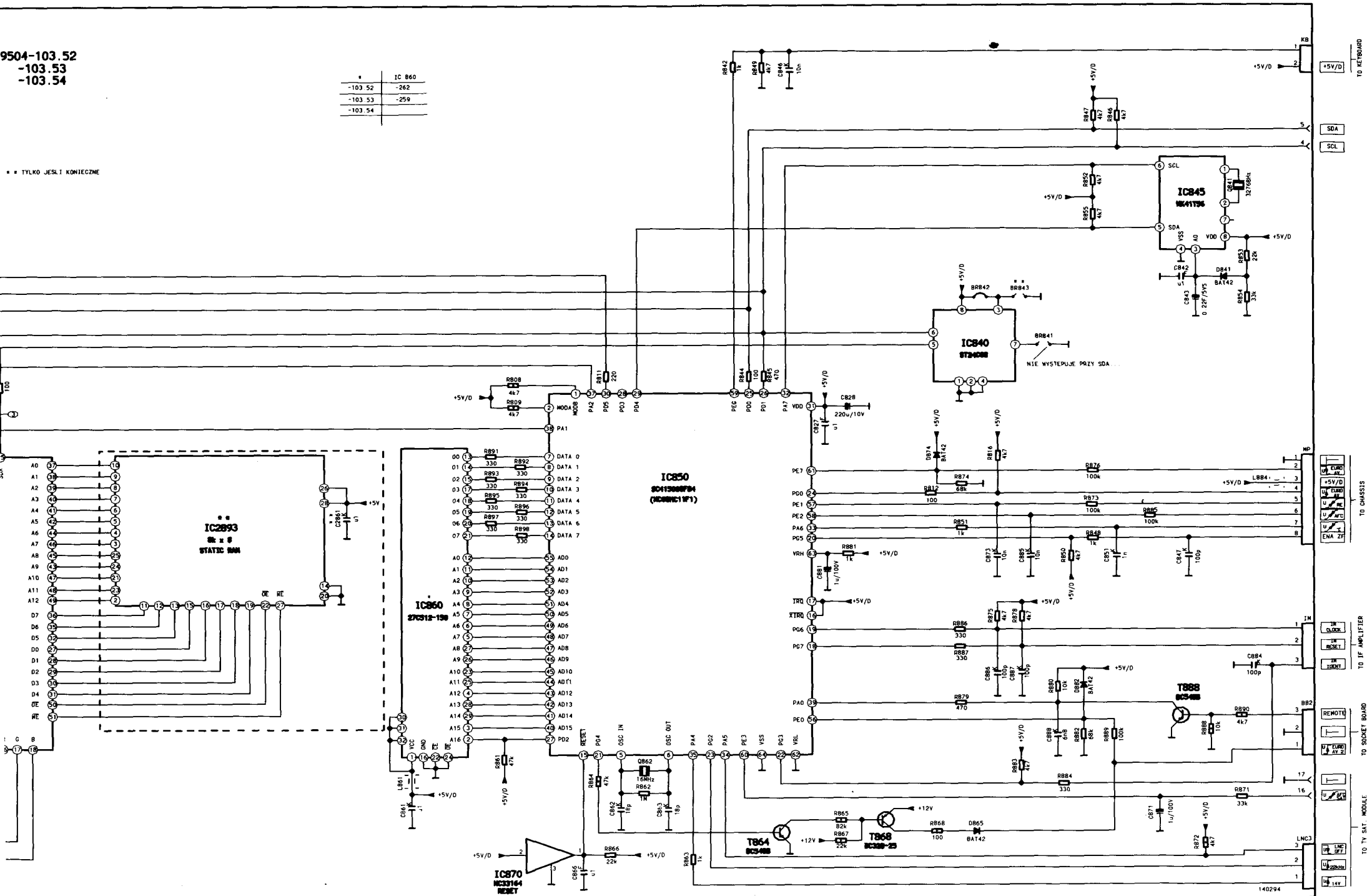


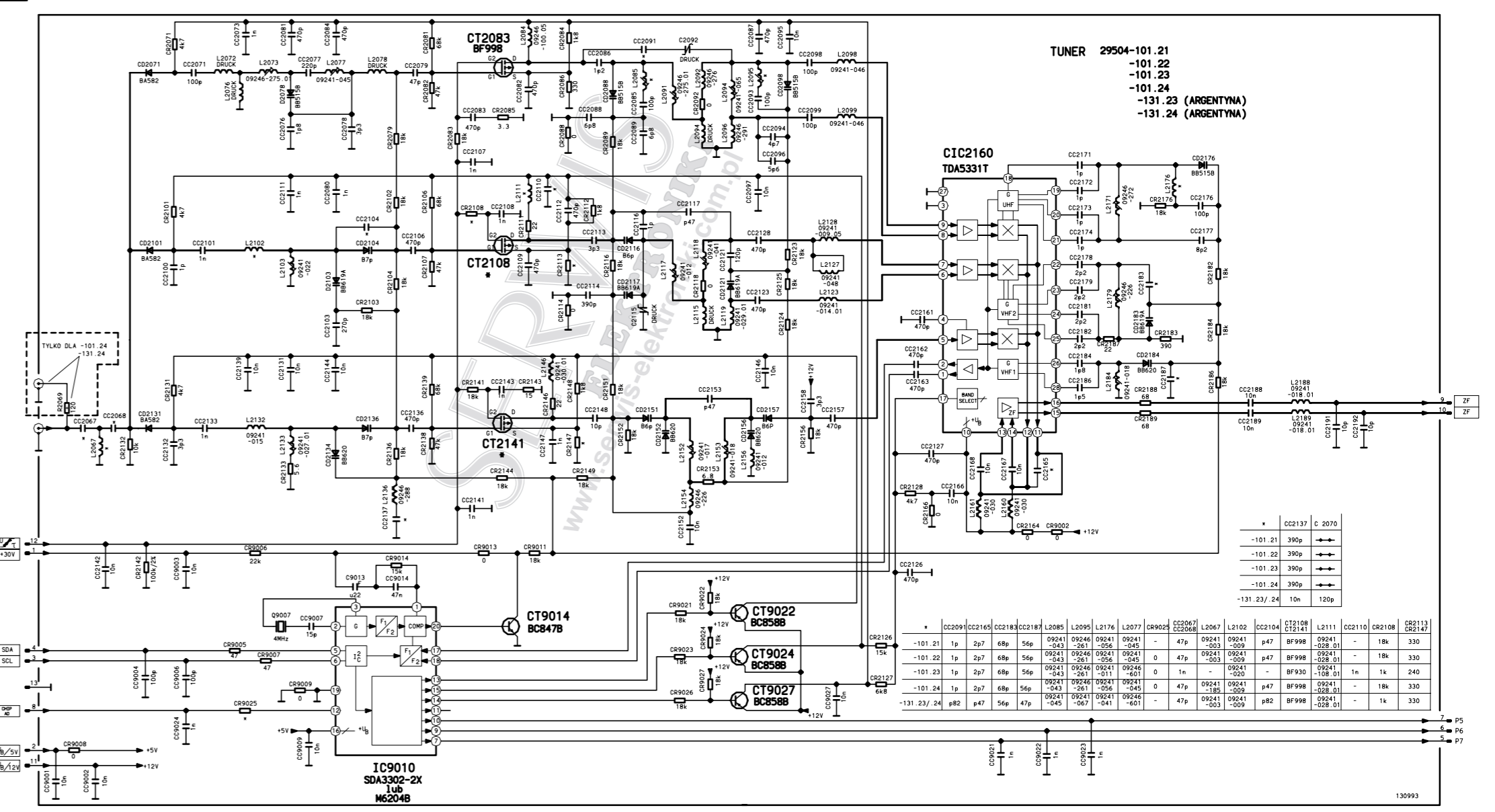
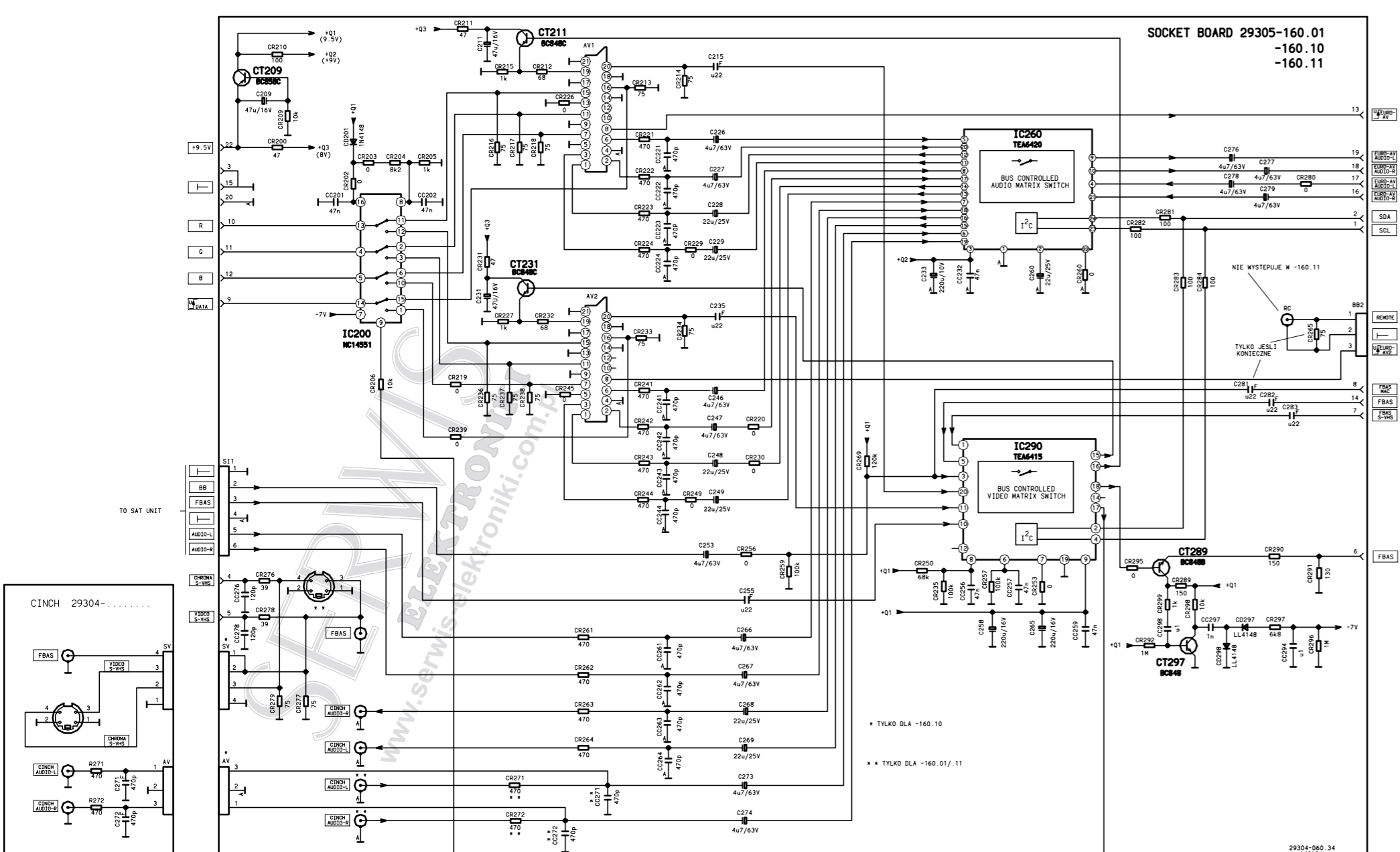
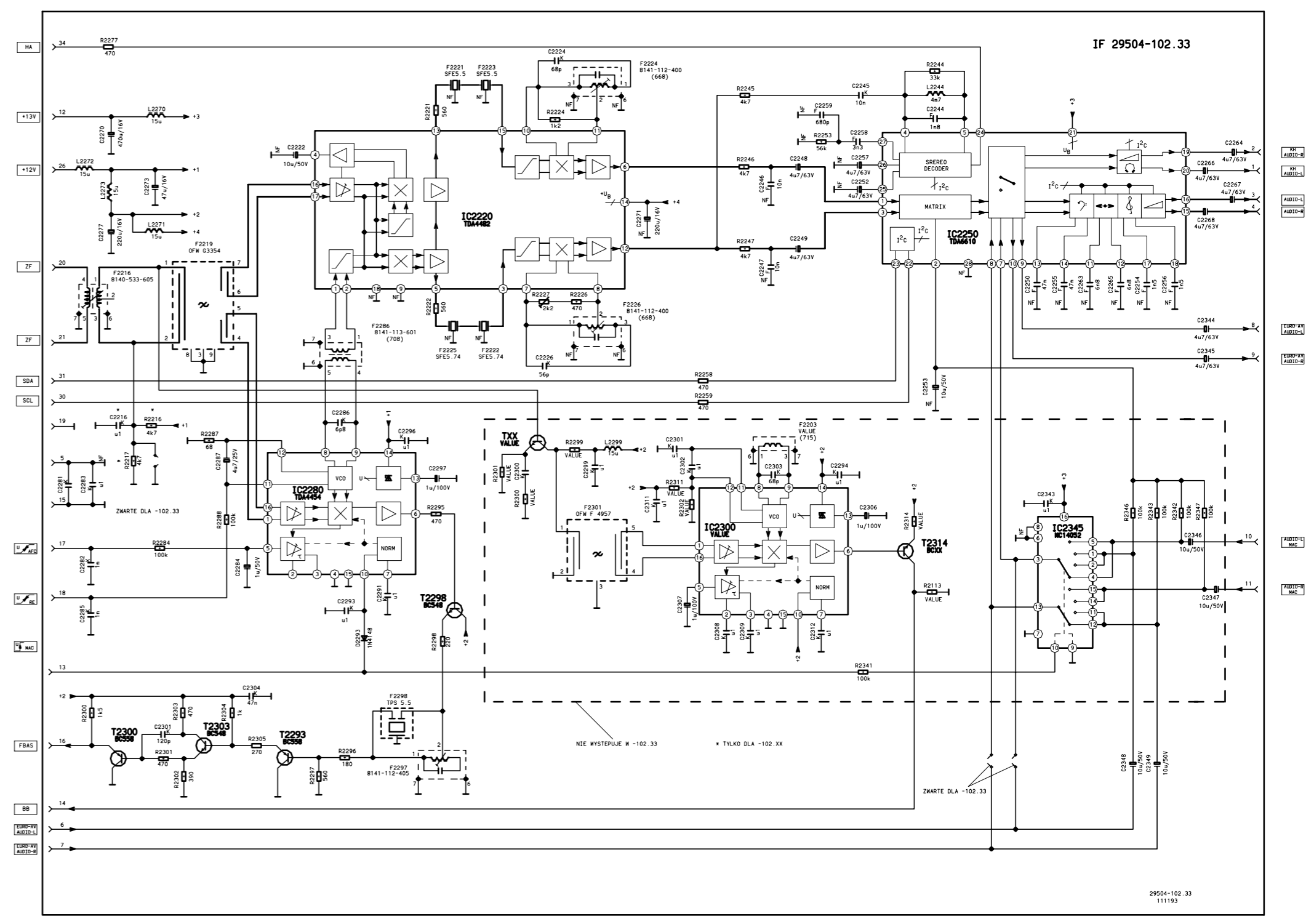
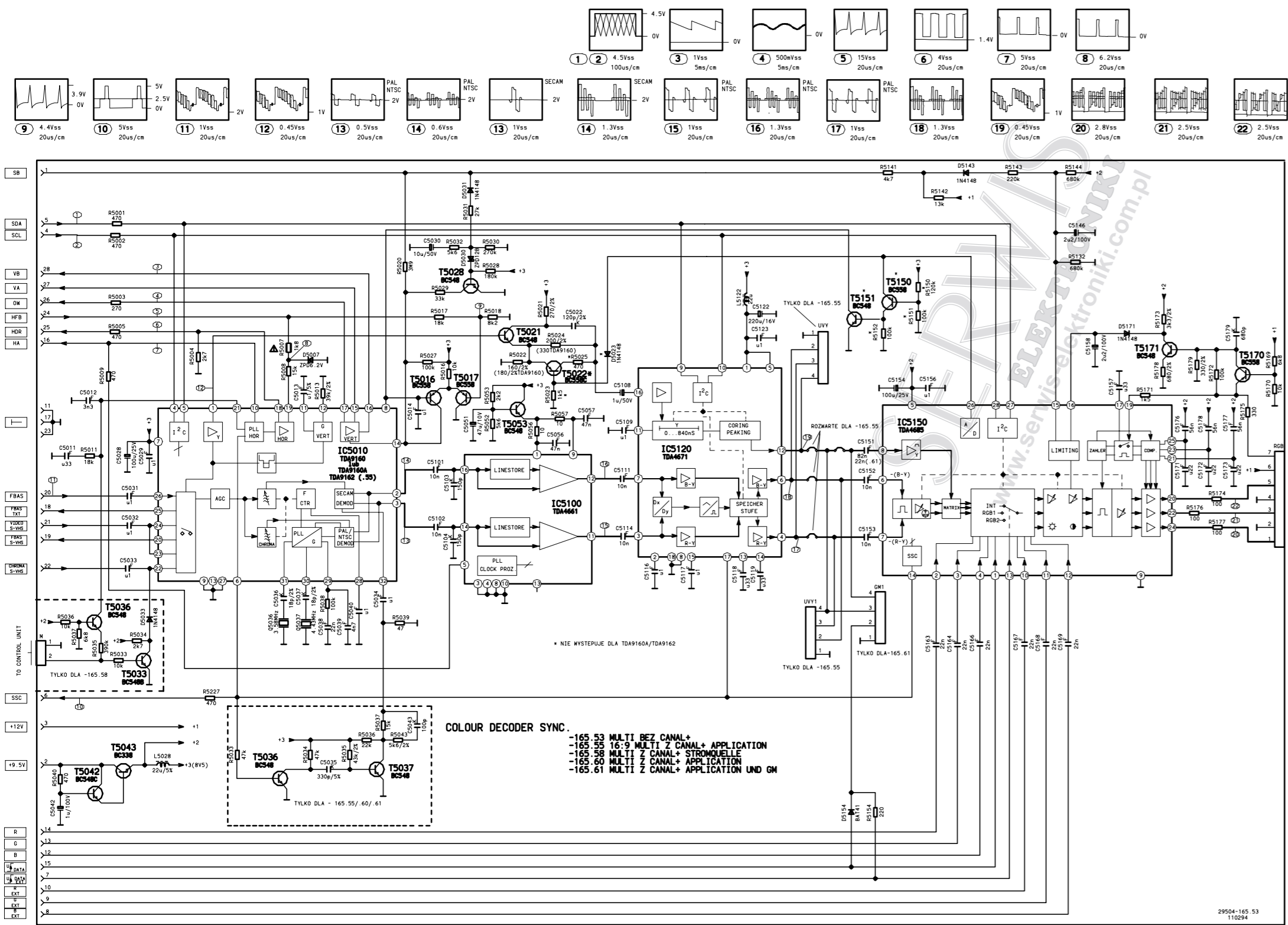
IC850  
S041280024  
(1000001101)

9504-103.52  
-103.53  
-103.54

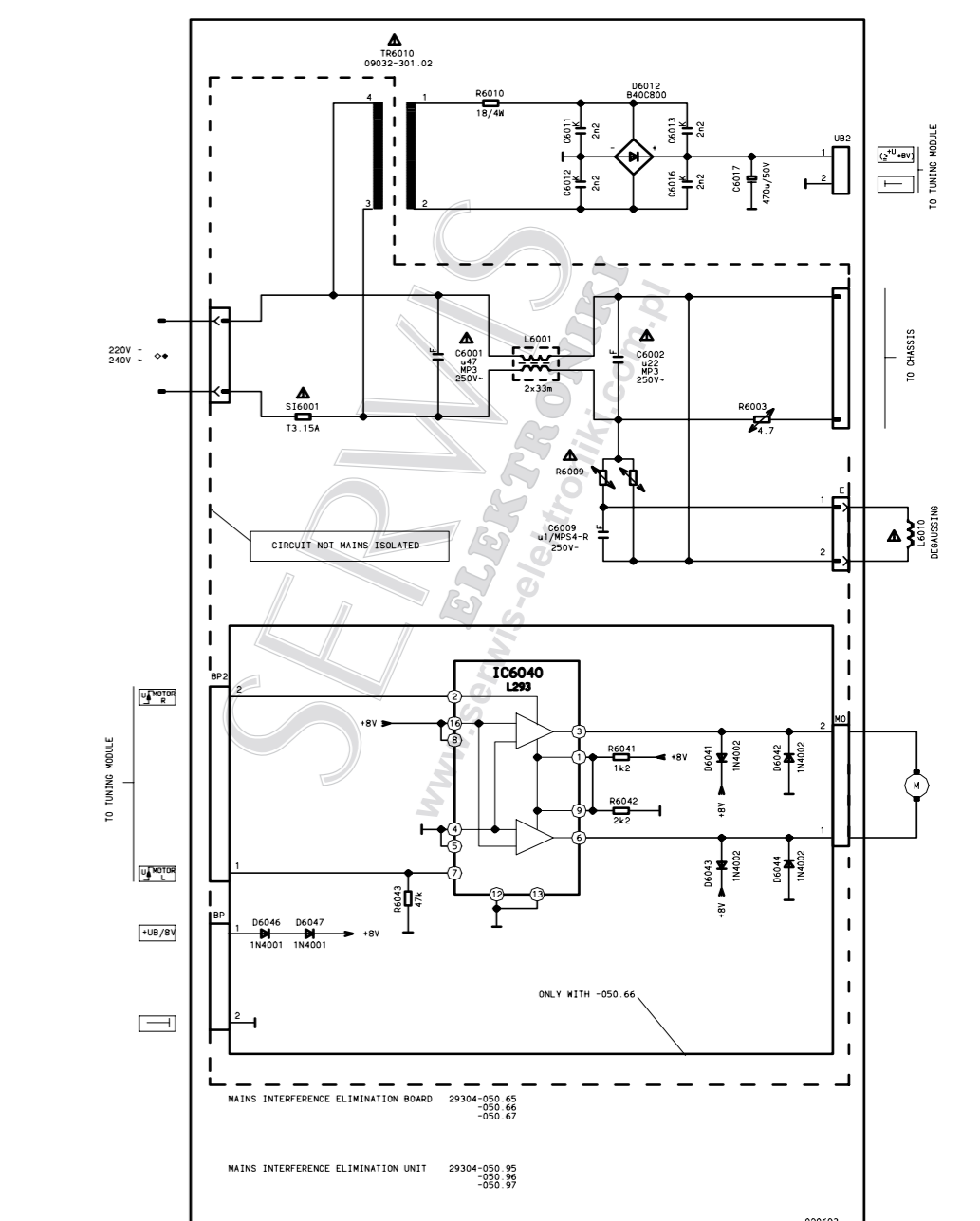
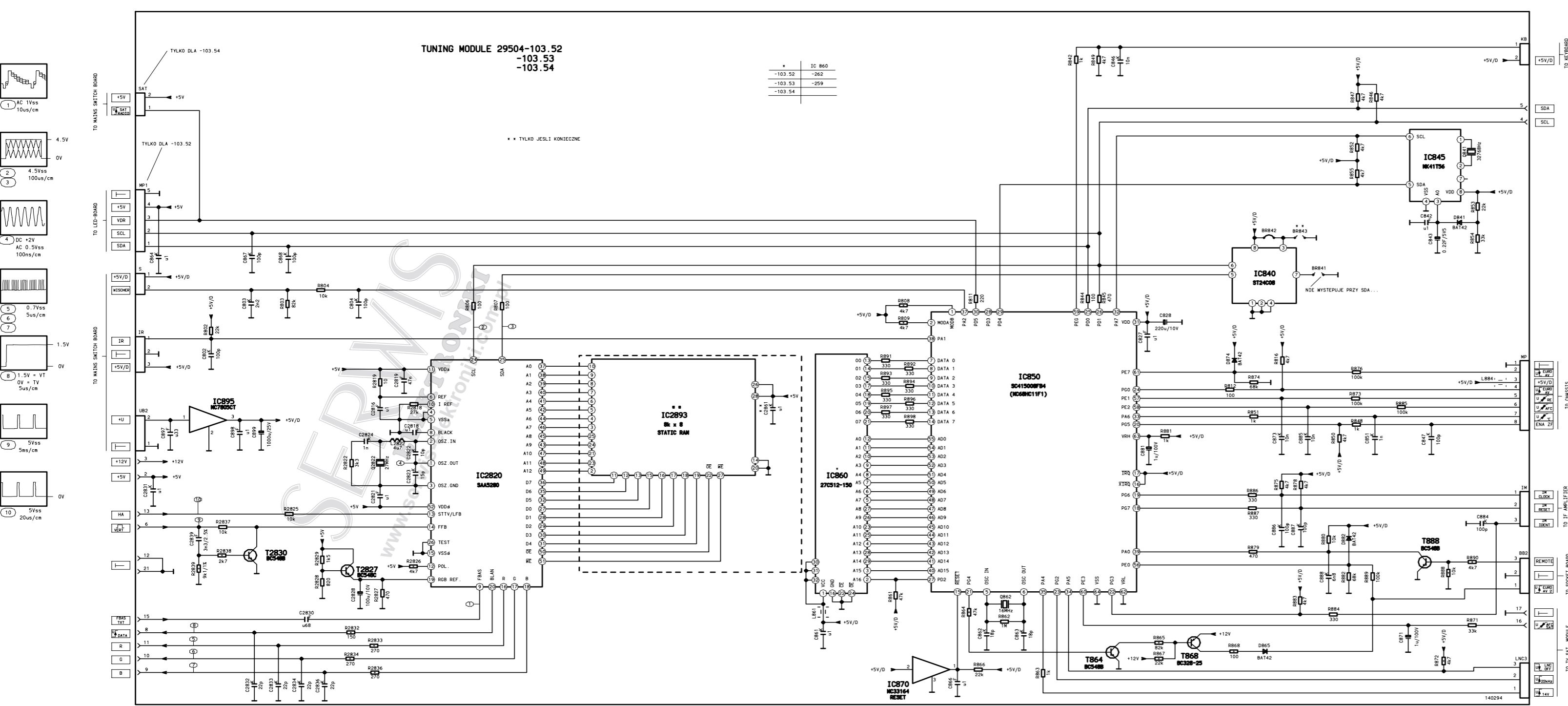
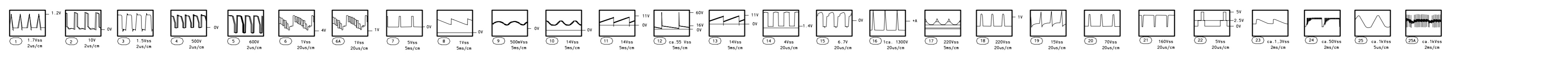
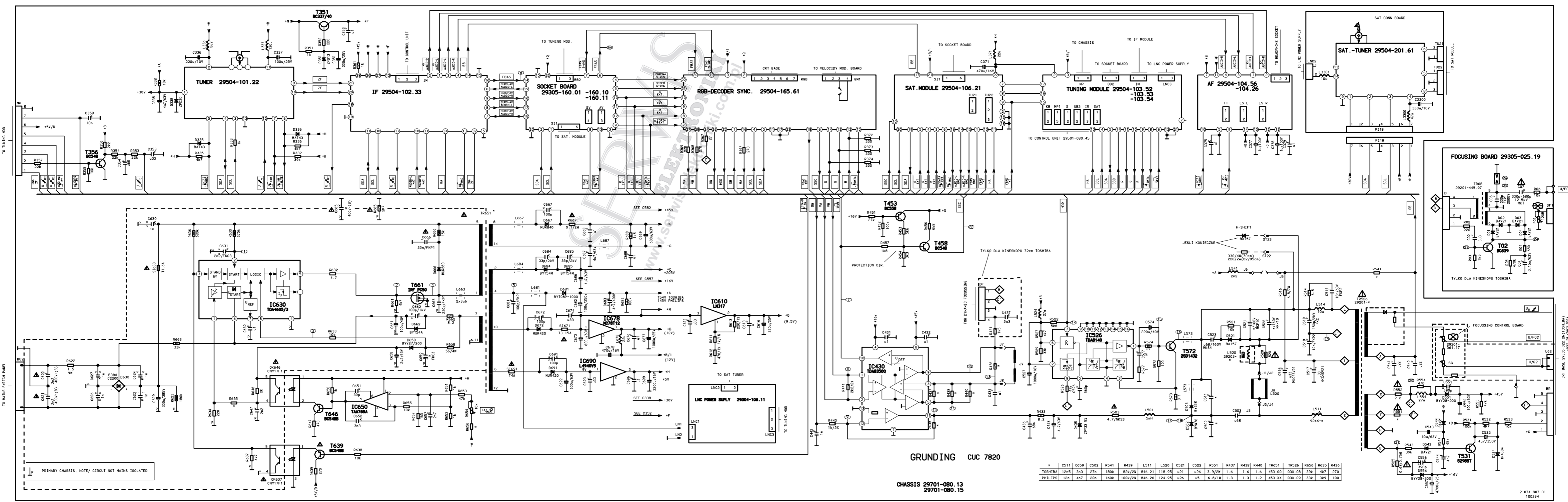
#	IC 860
-103.52	-262
-103.53	-259
-103.54	

• • TYLKO JEŚLI KONIECZNE

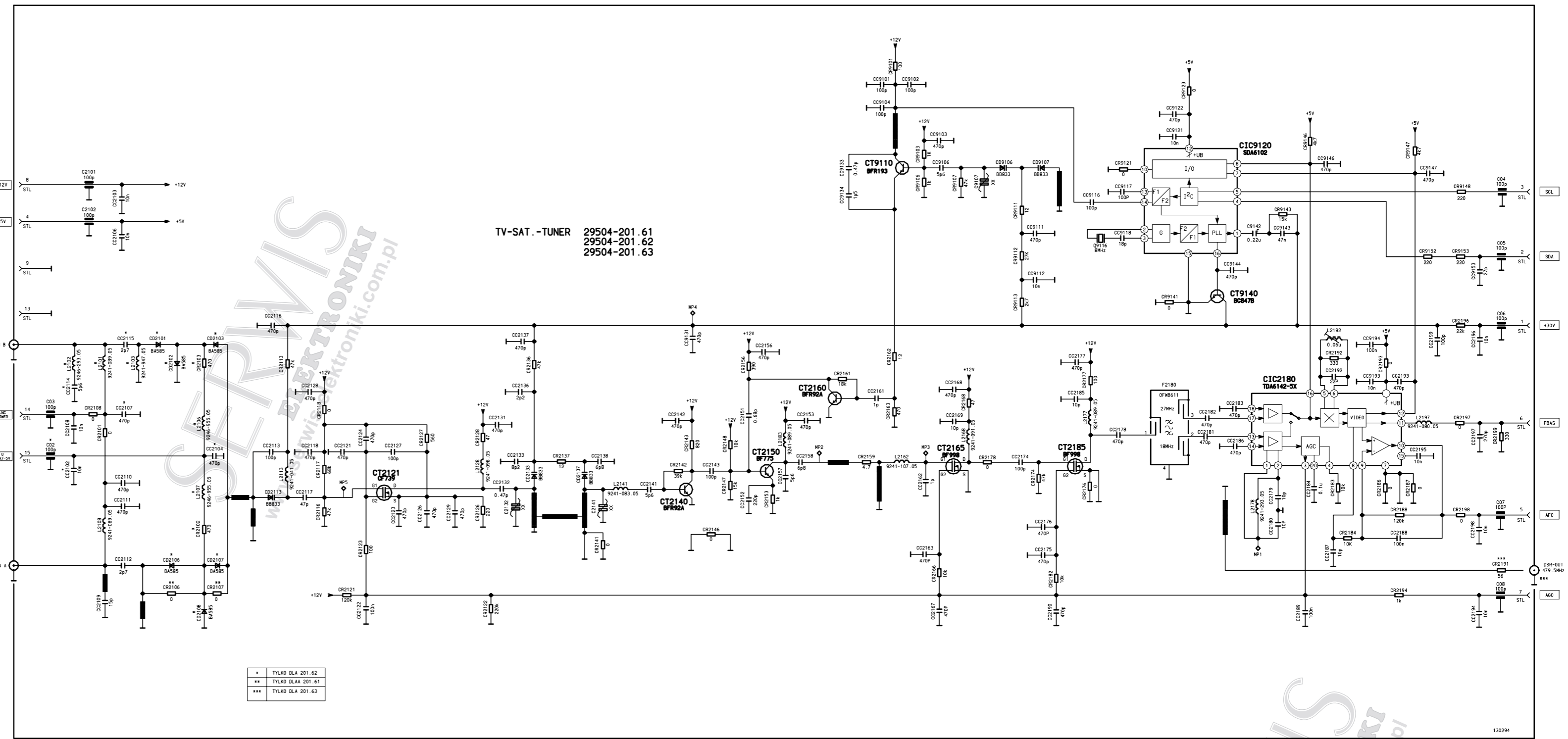
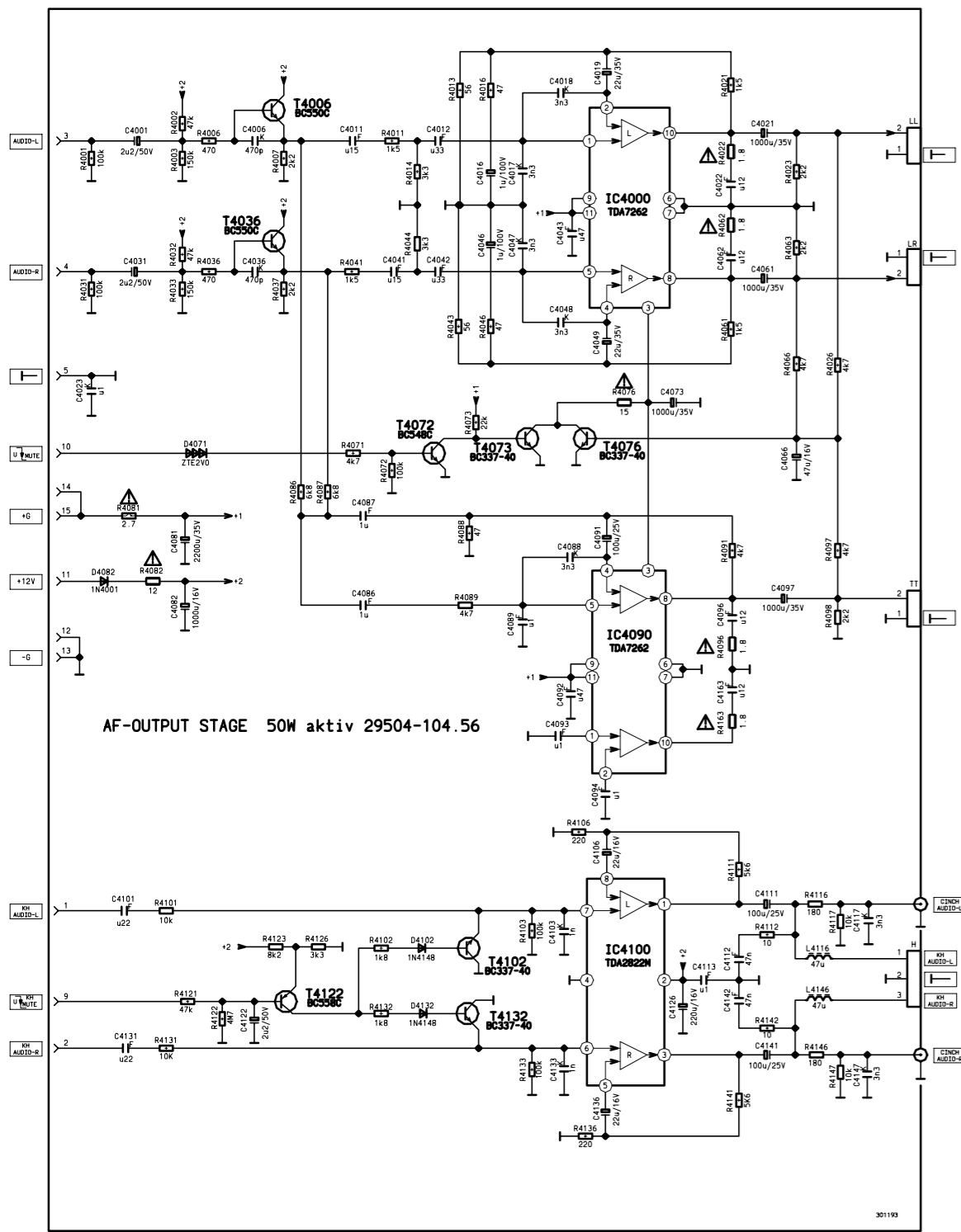




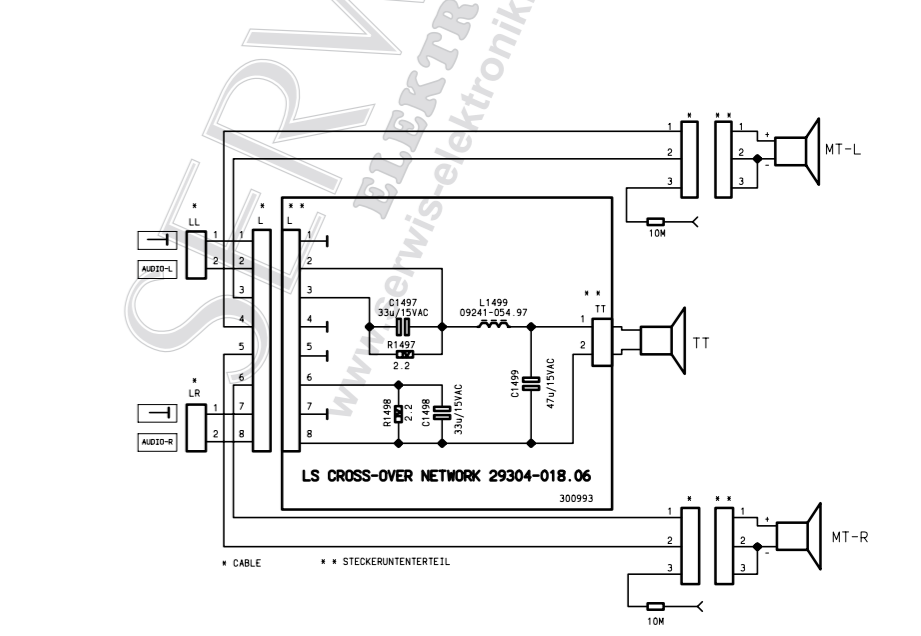
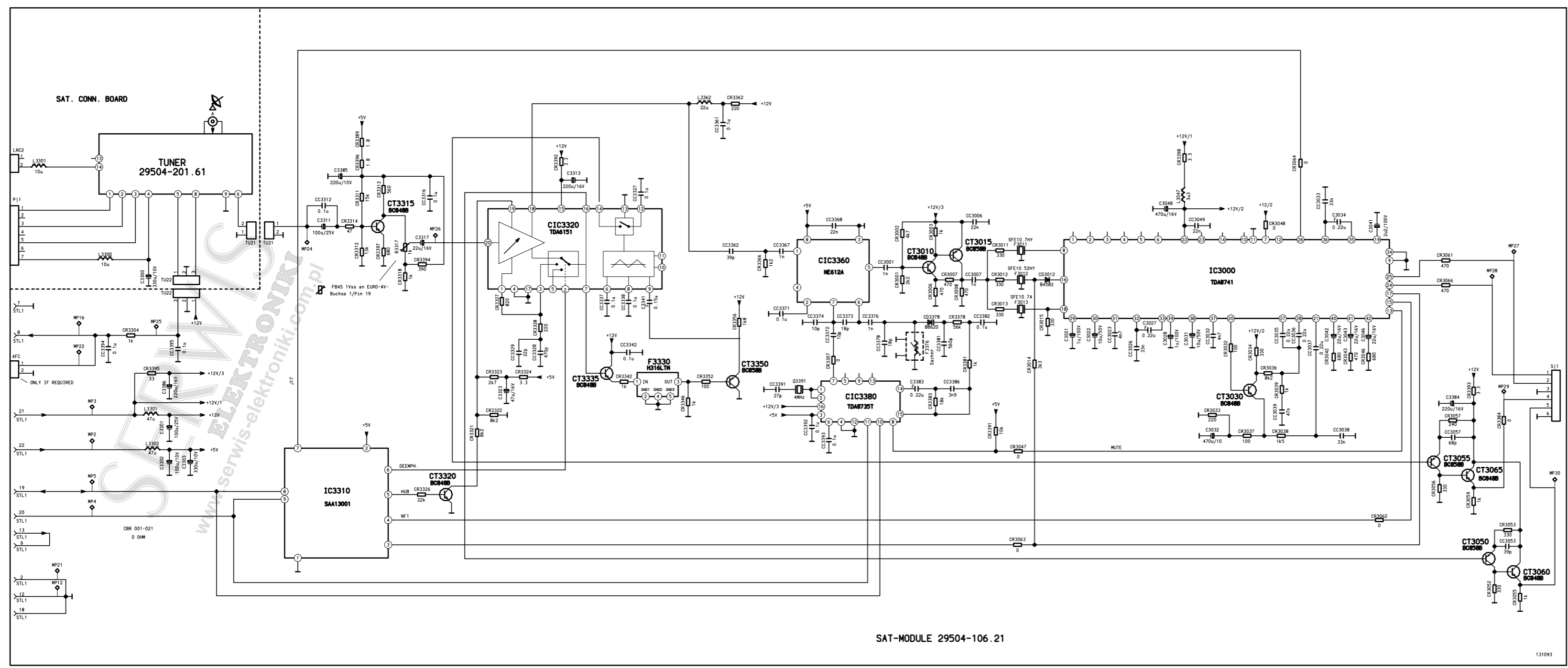




**OTVC Grundig chassis CUC7820**  
**Model: ST72-764 SAT (strona 2/4)**

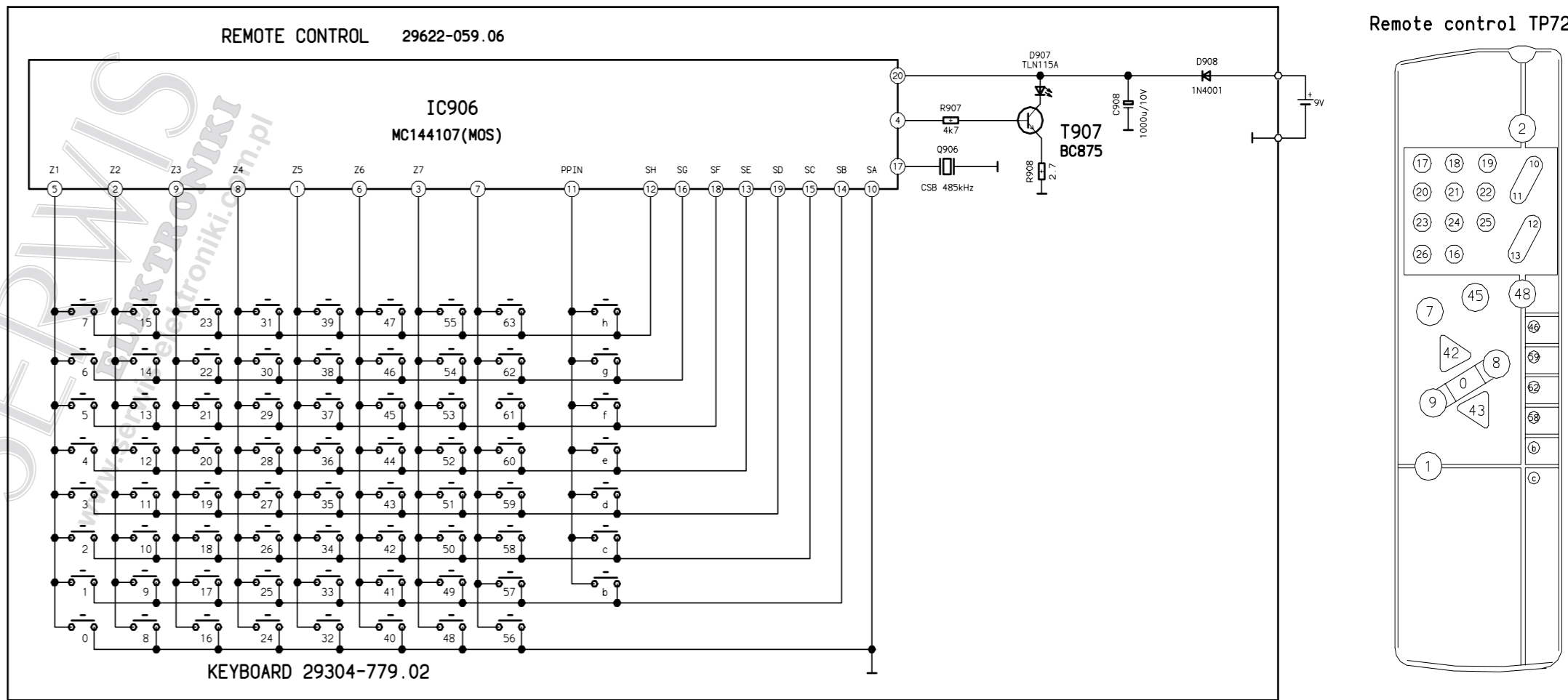
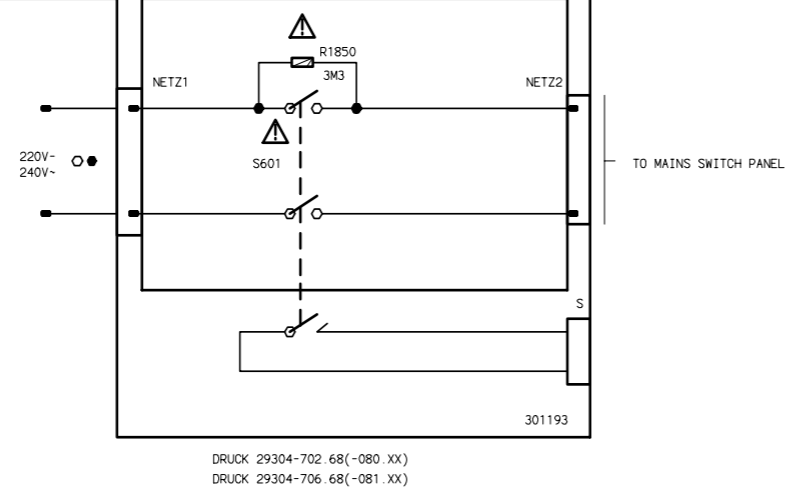
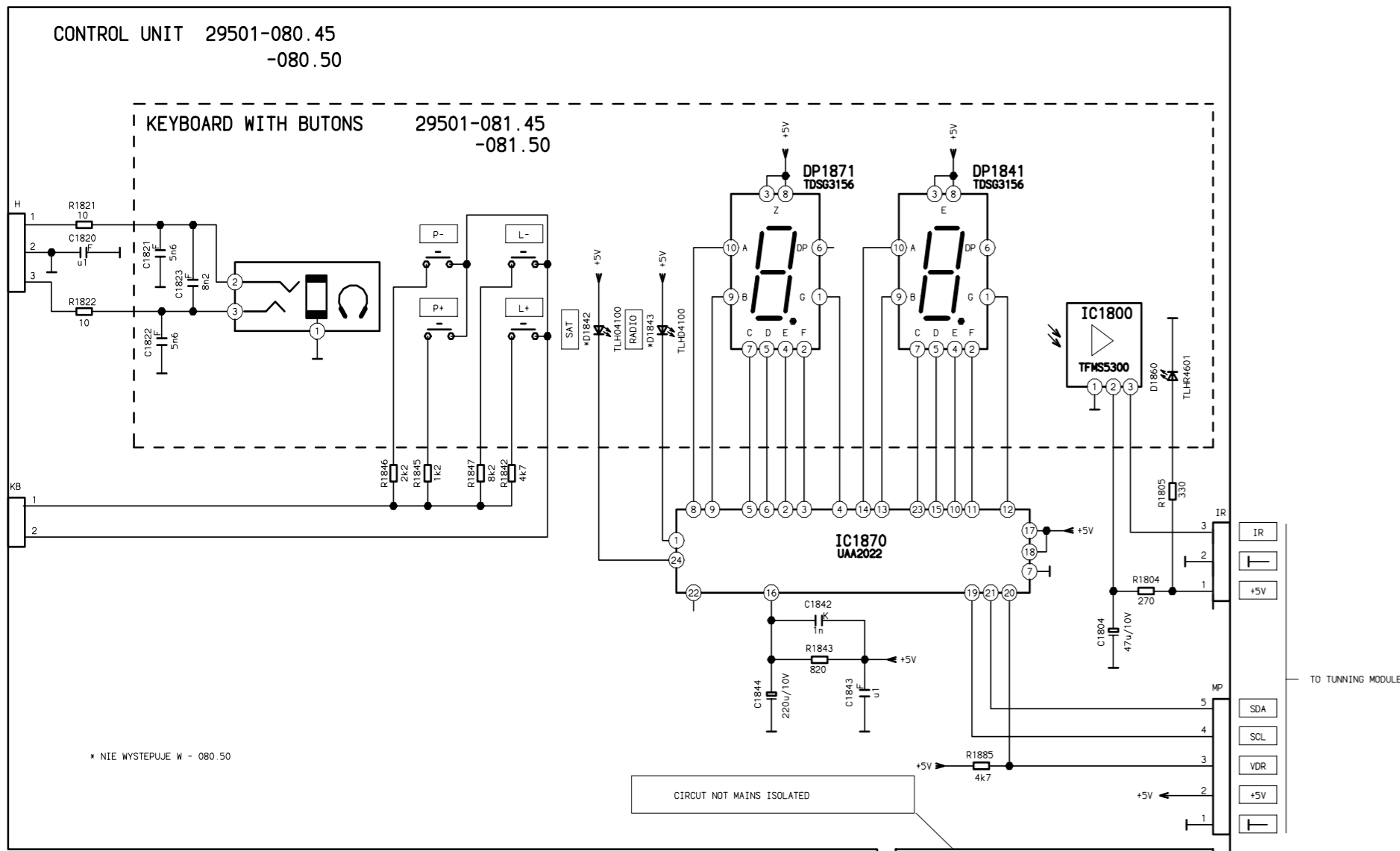


- \* TYLKO DLA 201.62
- \*\* TYLKO DLA 201.61
- \*\*\* TYLKO DLA 201.63

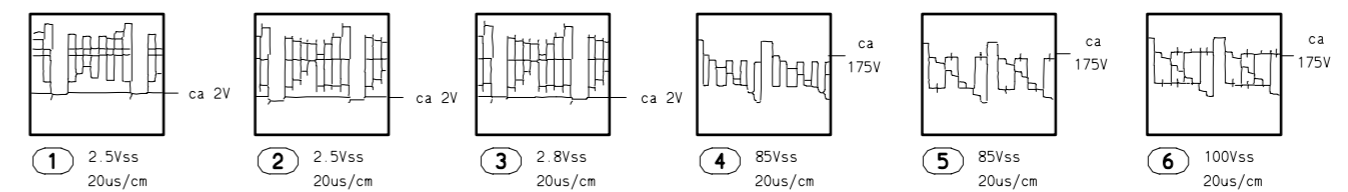
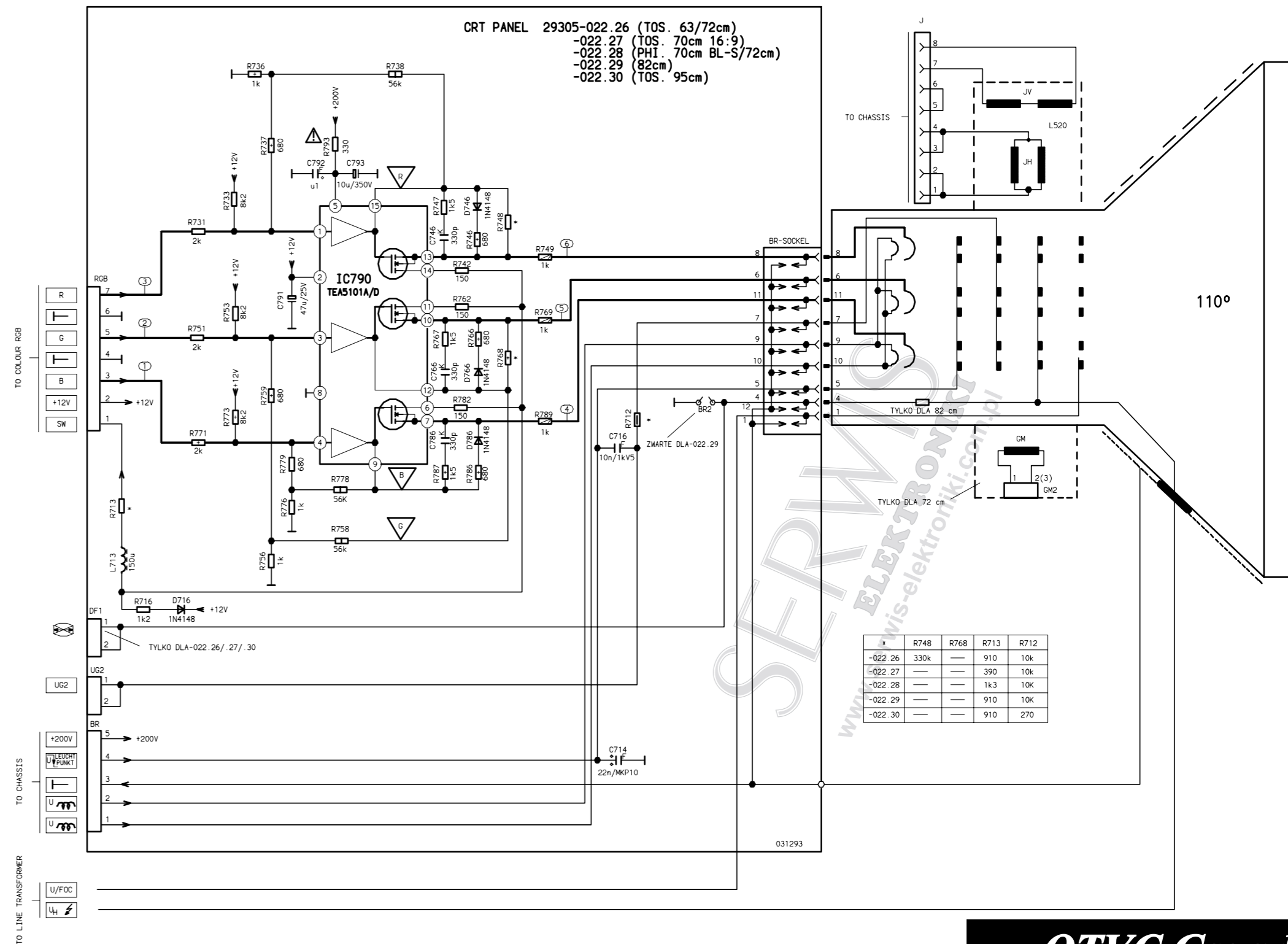
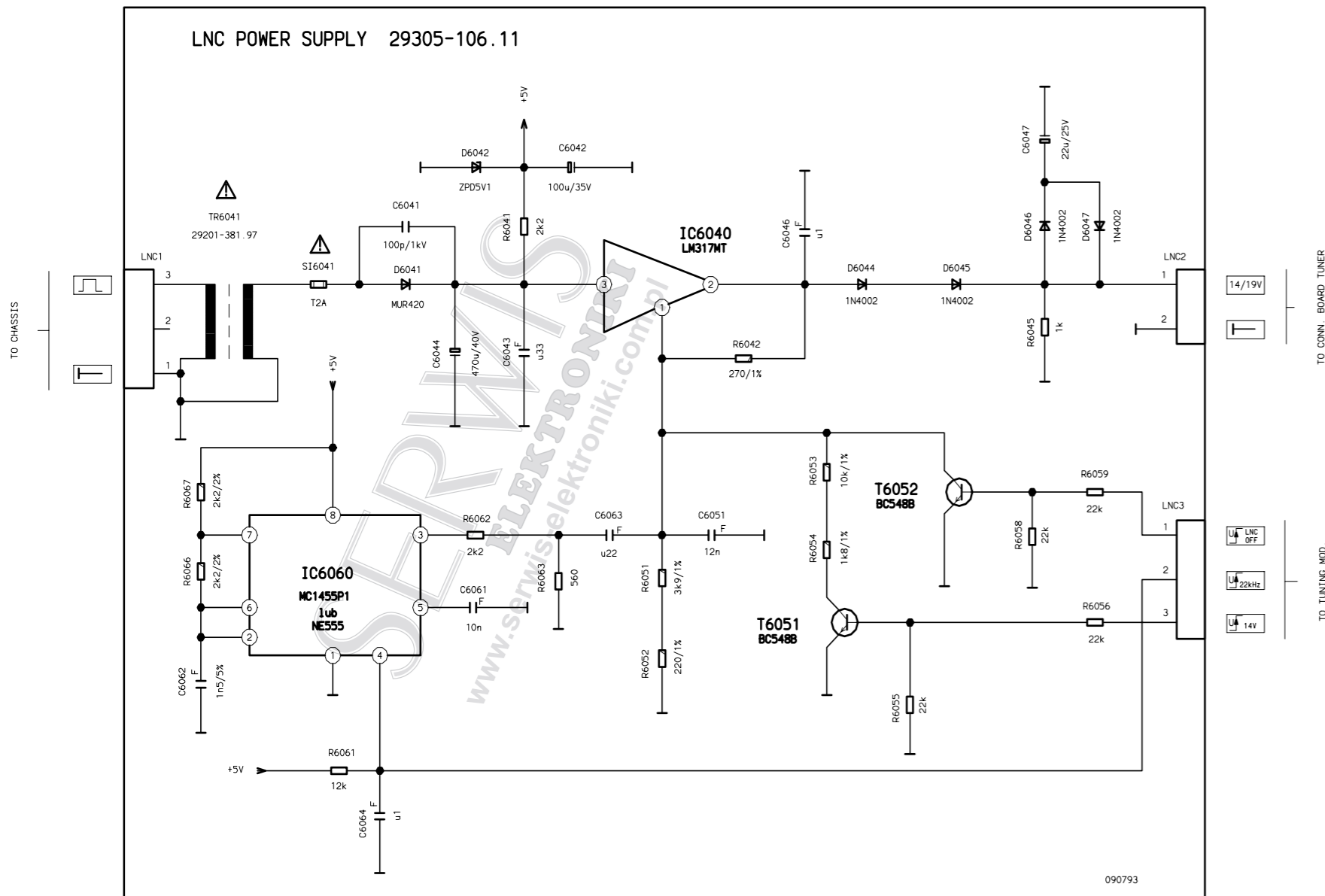
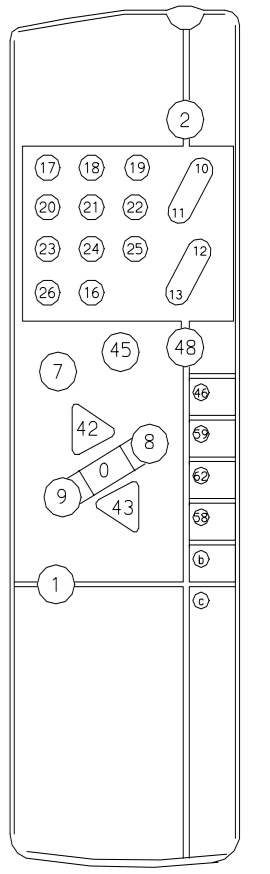


**OTVC Grundig**  
**chassis CUC7820**  
**Model: ST72-764 SAT**  
 (strona 3/4)





Remote control TP720



**OTVC Grundig**  
**chassis CUC7820**  
**Model: ST72-764 SAT**  
*(strona 4/4)*